

1

2

3

4

Notes: (Unless Otherwise Specified)

- 1. Waterproof Rate: IP67.
- 2. Recommend USB Flash Drives: SanDisk P/N: SDCZ55 (12\*5\*45)

REV	ECN#	DESCRIPTION OF REVISION	DRAW BY DATE	CHECK BY DATE	APPROVE BY DATE
01			Joyce 08/19/15	Lucas 08/19/15	Ray 08/19/15

D

D

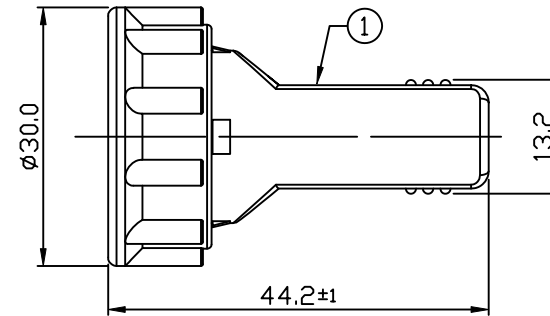
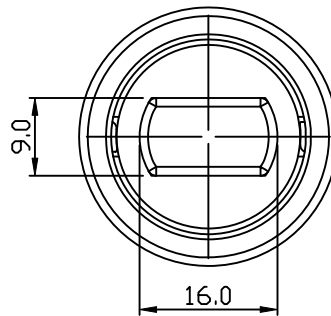
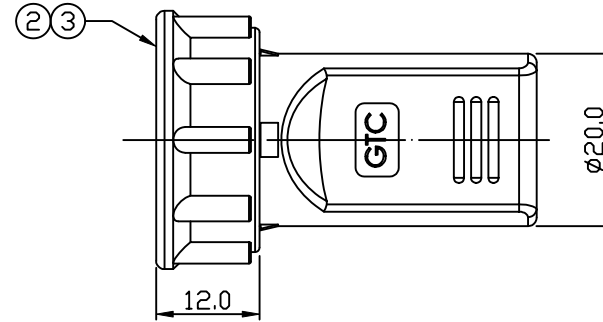
C

C

B

B

R&D DEPT. ISSUE  
AUG.26.2015  
ONLY FOR  
RELEASE



Item	Part Name	Material / Finish	Q'ty
3	Screw Nut	Thermoplastic Color: Black	1
2	Rubber Pad	Silicone Color: Black	1
1	Cover	Thermoplastic Color: Black	1

A

A

TITLE C4 USB Flash Drives Cover Lock						DRAWING NUMBER RR-111280-00			REV. 01	
	B	1:1	Joyce 08/19/15	Lucas 08/19/15	Ray 08/19/15	XX ± 0.5 X.XX ± 0.2	XXX ± 0.05 ANGLES ± 1°	mm	1/1	
THIRD ANGLE PROJECTION	SIZE	SCALE	DRAW / DATE	CHECK / DATE	APPROVE / DATE	TOLERANCES		UNIT	SHEET	

www.USBFireWire.com

NOTICE OF PROPRIETARY PROPERTY:  
THE INFORMATION CONTAINED HEREIN IS THE PROPRIETARY PROPERTY OF GT Contact CO.,LTD THE POSSESSOR AGREES TO THE FOLLOWING:  
(i) TO MAINTAIN THIS DOCUMENT IN CONFIDENCE  
(ii) NOT TO REPRODUCE OR COPY IT  
(iii) NOT TO REVEAL OR PUBLISH IT IN WHOLE OR PART  
(iv) ALL RIGHTS RESERVED

1

2

3

4