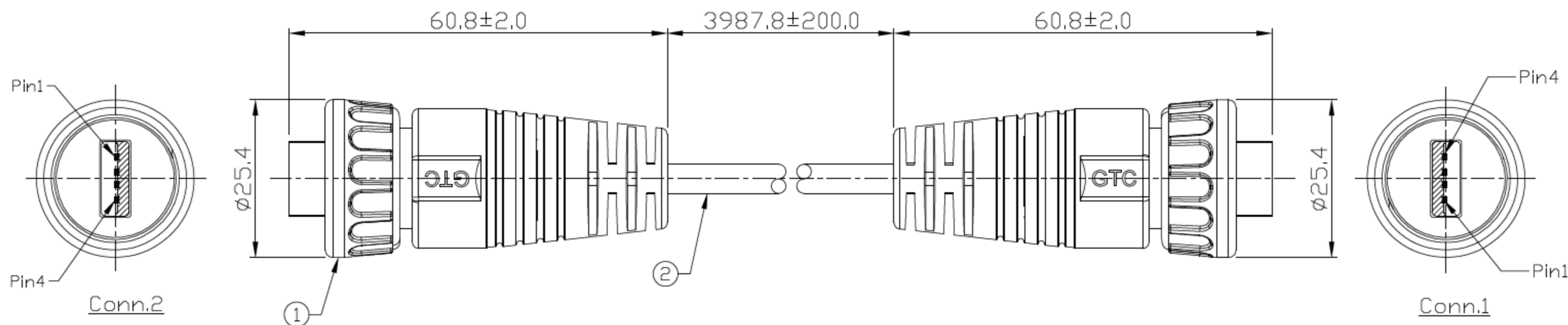


Notes: (Unless Otherwise Specified)

1. Waterproof Rate: IP67.
2. RoHS Compliant.

REV	ECN#	DESCRIPTION OF REVISION	DRAW BY DATE	CHECK BY DATE	APPROVE BY DATE
A0		Mass Production	Joyce 06/20/14	Lucas 06/20/14	Ray 06/20/14



DOC.CENTER.ISSUE
JUN.20.2014
ONLY FOR
RELEASE

Item	Part Name	Material / Finish	Q'ty
2	Cable	UL2725 1P*28AWG+2C*24AWG+Al/My+D+B Color: Black, $\phi D=5.0$ mm	1
1	USB-A Plastic C3 Cable End Plug Twin-head Screw	GT Contact P/N: GT116320-0M-XX	1

TITLE					DRAWING NUMBER			REV.
USB-A Plastic C3 Cable End Plug Twin-head Screw With 157inches					RR-116320-0M-157			A0
THIRD ANGLE PROJECTION	SIZE	SCALE	DRAW / DATE	CHECK / DATE	APPROVE / DATE	TOLERANCES	UNIT	SHEET
	B	1:1	Joyce 06/20/14	Lucas 06/20/14	Ray 06/20/14	X.X ± 0.5 X.XX ± 0.2	mm	1/1
						X.XXX ± 0.05 ANGLES ± 1°		

www.USBFireWire.com

NOTICE OF PROPRIETARY PROPERTY
THE INFORMATION CONTAINED HEREIN IS THE PROPRIETARY PROPERTY OF GT CONTACT CO.,LTD THE POSSESSOR AGREES TO THE FOLLOWING:
(1) TO MAINTAIN THIS DOCUMENT IN CONFIDENCE
(2) NOT TO REPRODUCE OR COPY IT
(3) NOT TO REVEAL OR PUBLISH IT IN WHOLE OR PART
(4) ALL RIGHTS RESERVED