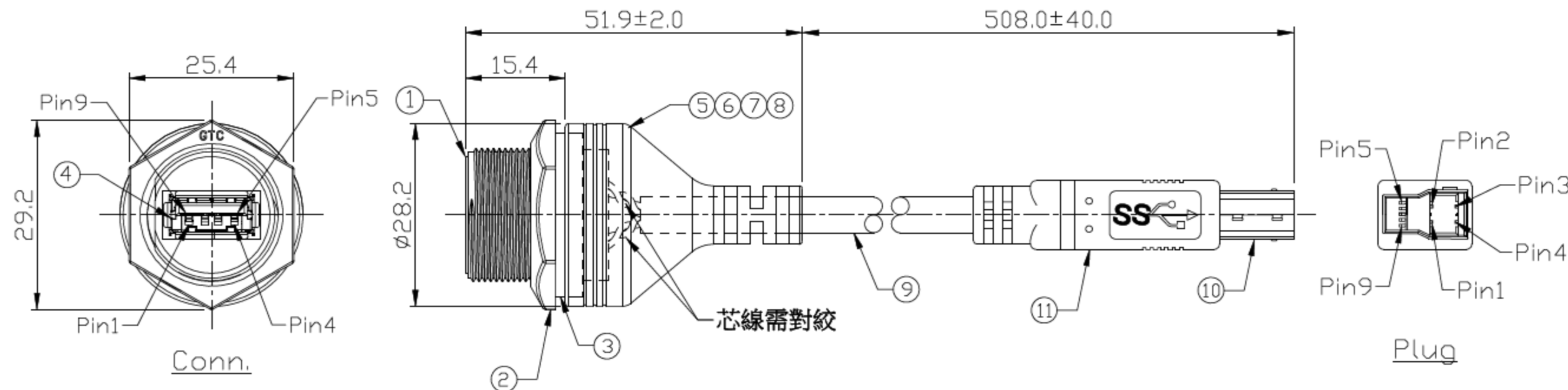


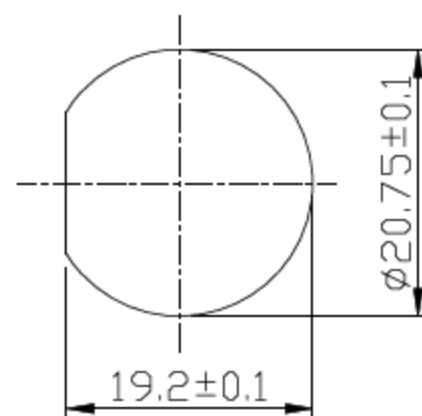
Notes: (Unless Otherwise Specified)

1. Waterproof Rate : IP67.
2. Recommend Panel Thickness : 0.8 to 6.0 mm.
3. Recommend Torque: 14~15 Kgf-cm.
4. Mating Cap P/N:

REV	ECN#	DESCRIPTION OF REVISION	DRAW BY DATE	CHECK BY DATE	APPROVE BY DATE
02	ECN-150406	Modify Drawing Number RR-118310-0K-20 -> RR-118310-05-20	Joyce 04/30/15	Lucas 04/30/15	Ray 04/30/15



Item	Part Name	Material / Finish	Qty
11	Over Mold	PVC Color: Black	1
10	USB-B 3.0 Plug	Housing: Thermoplastic, Color: Blue Contacts: Copper Alloy, Finish: Au Plated Shell: SPCC, Finish: Ni Plated	1
9	Cable	UL2725 (1P*28AWG+EAM)*2+(1PR*28AWG+A)+2C*22AWG+AB 85% Color: Black OD=5.5mm	1
8	Over Mold	PVC Color: Black	1
7	Inner Mold	Thermoplastic Color: Black Or White	1
6	Glue	Epoxy Color: Black	
5	PCB	FR-4 Color: —	1
4	USB-A 3.0 Receptacle	Housing: Thermoplastic, Color: Blue Contacts: Copper Alloy, Finish: Au Plated Shell: Copper Alloy, Finish: Ni Plated	1
3	Gasket	Silicone Color: Black	1
2	Hex Nut	Thermoplastic Color: Black	1
1	Housing	Thermoplastic Color: Black	1



Recommend Panel Cut-Out

Conn.	Color	Plug
1	Red	1
2	White	2
3	Green	3
4	Black	4
5	Blue	5
6	Yellow	6
7	Drain	7
8	Purple	8
9	Orange	9
Shell	Braid	Shell

Wiring Diagram

TITLE USB-A 3.0 Plastic C3 Panel Jack Screw With 20inches Cable + USB-B 3.0 Plug				DRAWING NUMBER RR-118310-05-20			REV. 02	
DO NOT SCALE DRAWINGS	B	1:1	Joyce 05/09/14	Lucas 05/09/14	Ray 05/09/14	X.X ± 0.5 X.XX ± 0.2	X.XXX ± 0.05 ANGLES ± 1°	mm
THIRD ANGLE PROJECTION	SIZE	SCALE	DRAW / DATE	CHECK / DATE	APPROVE / DATE	TOLERANCES		UNIT
								SHEET


USB FIREWIRE.com

THE INFORMATION CONTAINED HEREIN IS THE PROPRIETARY INFORMATION OF RR BUSINESS VENTURES, LLC. THE POSSESSOR AGREES TO THE FOLLOWING
 1. MAINTAIN THIS DOCUMENT IN CONFIDENCE
 2. NOT TO REPRODUCE OR COPY IT
 3. NOT TO REVEAL OR PUBLISH IT IN WHOLE OR IN PART

COPYRIGHT © 2019