

Notes: (Unless Otherwise Specified)

- 1. Waterproof Rate: IP67.
- 2. RoHS Compliant.
- 3. 產品採用無Logo PE袋單PCS包裝,並將標籤貼於袋外.

RR-118320-02-XX_REV:XX_QTY:1PCS
LOT: XXXX
Made in China

- 4. 每25PCS產品再用防水袋包裝,並將標籤貼於袋外.

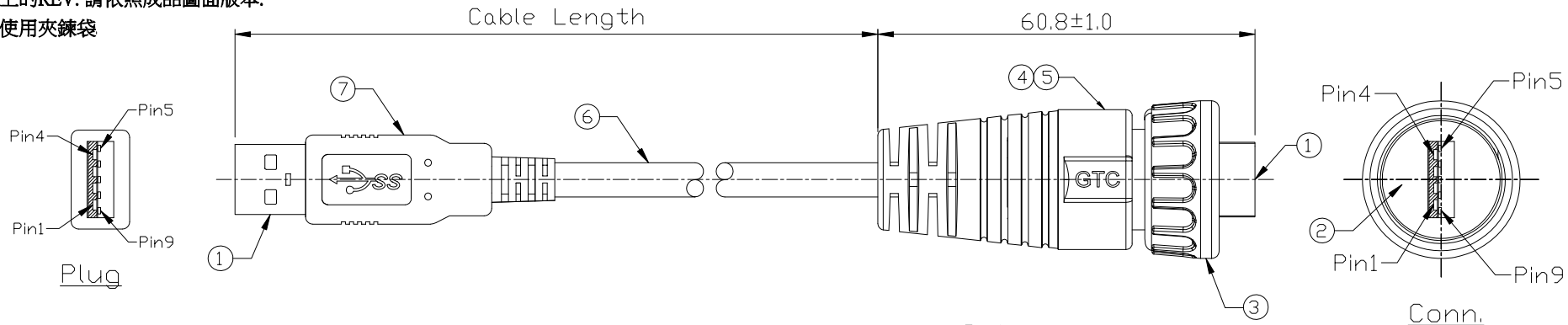
RR-118320-02-XX_REV:XX_QTY:25PCS
LOT: XXXX
Made in China

- 5. 標籤上的REV: 請依照成品圖面版本.

- 6. 不可使用夾鍊袋

REV	ECN#	DESCRIPTION OF REVISION	DRAW BY DATE	CHECK BY DATE	APPROVE BY DATE
02	ECN-150406	Modify Drawing Number RR-118320-0V-15 -> RR-118320-02-15	Joyce 04/30/15	Lucas 04/30/15	Ray 04/30/15
A0	ECN-150913	Modify Drawing Number RR-118320-02-15 -> RR-118320-02-XX	Karen 09/23/15	Lucas 09/23/15	Ray 09/23/15

DOC.CENTER.ISSUE
SEP.24.2015
ONLY FOR
RELEASE



Item	Part Name	Material / Finish	Q'ty
7	Over Mold	PVC Color: Black	1
6	Cable	UL2725 (1P*28AWGEAM)*2+(1PR*28AWG+A)+2C*22AWG+AB 85% Color: Black, OD=5.5mm	1
5	Over Mold	PVC Color: Black	1
4	Inner Mold	Thermoplastic Color: Black	1
3	Screw Nut	Thermoplastic Color: Black	1
2	Rubber Pad	Silicone Color: Black	1
1	USB-A 3.0 Plug	Housing: Thermoplastic, Color: Blue Contacts: Copper Alloy, Finish: Au Plated Shell: Cold Roll Steel, Finish: Ni Plated	2

Plug	Color	Conn.
1	Red	1
2	White	2
3	Green	3
4	Black	4
8	Blue	5
9	Yellow	6
7	Drain	7
5	Purple	8
6	Orange	9
Shell	Braid	Shell

Wiring Diagram

Part No.	Cable Length	Tol.
RR-118320-02-196	4978.4 mm	±150
RR-118320-02-78	1981.2 mm	±100
RR-118320-02-39	990.6 mm	±50
RR-118320-02-15	381 mm	±20

www.USBFireWire.com

NOTICE OF PROPRIETARY PROPERTY:
 THE INFORMATION CONTAINED HEREIN IS THE PROPRIETARY PROPERTY OF USBFIREWIRE.COM THE POSSESSOR AGREES TO THE FOLLOWING:
 (A) TO MAINTAIN THIS DOCUMENT IN CONFIDENCE
 (B) NOT TO REPRODUCE OR COPY IT
 (C) NOT TO REVEAL OR PUBLISH IT IN WHOLE OR PART
 (D) ALL RIGHTS RESERVED

TITLE						DRAWING NUMBER			REV.	
USB-A 3.0 Plastic C3 Cable End Plug Screw With Cable + USB-A 3.0 Plug						RR-118320-02-XX			A0	
THIRD ANGLE PROJECTION	SIZE	SCALE	DRAW / DATE	CHECK / DATE	APPROVE / DATE	TOLERANCES	UNIT	SHEET		
DD NOT SCALE DRAWINGS	B	1:1	Lucas 09/12/14	Ray 09/12/14	Ray 09/12/14	X.X ± 0.5 X.XX ± 0.2	mm	1/1		