

Notes: (Unless Otherwise Specified)

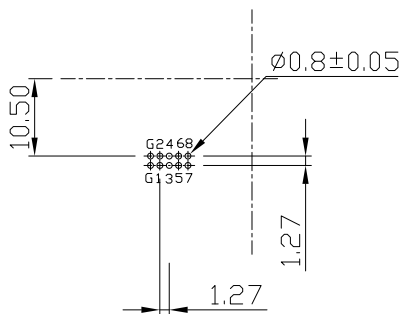
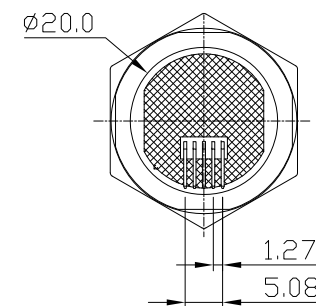
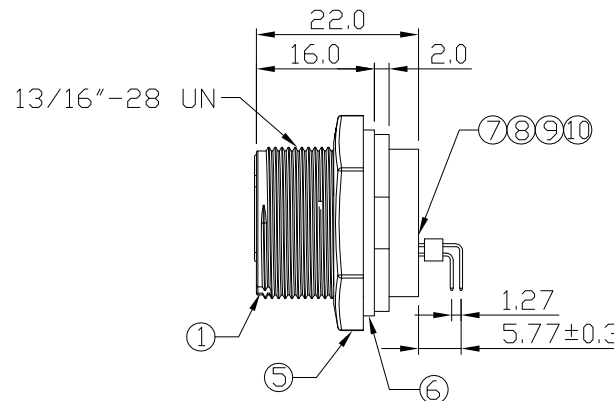
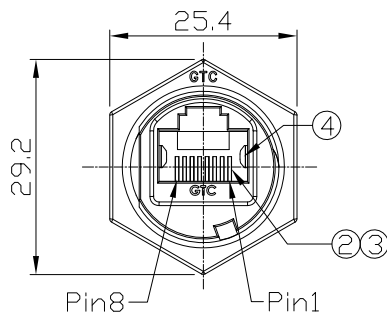
1. Waterproof Rate: IP68.
2. Recommend Panel Thickness: 0.8 to 4.0 mm.
3. Recommend Torque: 14.0~15.0 Kgf-cm.
4. Mating Cap P/N:RR-1C533122
5. RoHS Compliant.
6. 產品採用USB 10PCS吸塑盒包裝;並於吸塑盒上蓋貼上標籤.

RR-125300-E0_REV:XX_QTY:10PCS
LOT: XXXX
Made in China

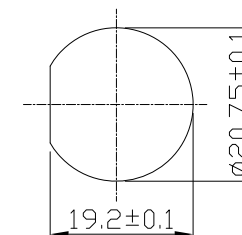
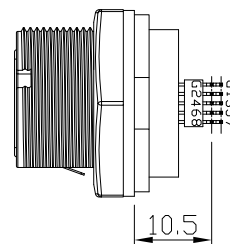
7. 標籤上的REV: 請依照成品圖面版本.

REV	ECN#	DESCRIPTION OF REVISION	DRAW BY DATE	CHECK BY DATE	APPROVE BY DATE
01			Whitney 07/01/19	Lucas 07/01/19	Ray 07/01/19

GTC
 DOC.CENTER.ISSUE
JUL.02.2019
 ONLY FOR
 RELEASE



Recommend PCB Layout



Recommended
 Panel Cut-Out

10	Pin Header	Housing: Thermoplastic; Color: Black Contacts: Copper Alloy; Finish: Au Plated	1
9	Glue	Epoxy Color: Black	
8	Holder	Silicone Color: Black	1
7	PCB	FR-4 Color: —	1
6	Gasket	Silicone Color: Black	1
5	Hex Nut	Thermoplastic Color: Black	1
4	Shielded Plate	Copper Alloy Finish: Ni Plated	2
3	Holder	Thermoplastic Color: Black	1
2	RJ45 Receptacle	Housing: Thermoplastic, Color: Gray Contacts: Copper Alloy, Finish: Au Plated	1
1	Housing	Thermoplastic Color: Black	1
Item	Part Name	Material / Finish	Qty

TITLE	DRAWING NUMBER	REV.
RJ45 Plastic C3 Shielded Panel Jack Dip 90° Screw	RR-125300-E0	01

THIRD ANGLE PROJECTION	SIZE	SCALE	DRAW / DATE	CHECK / DATE	APPROVE / DATE	TOLERANCES	UNIT	SHEET
	B	1:1	Whitney 07/01/19	Lucas 07/01/19	Ray 07/01/19	X.X ± 0.5 X.XX ± 0.2	mm	1/1
						X.XXX ± 0.05 ANGLES ± 1°		

USB FIREWIRE.com

THE INFORMATION CONTAINED HEREIN IS THE PROPRIETARY INFORMATION OF RR BUSINESS VENTURES, LLC. THE POSSESSOR AGREES TO THE FOLLOWING:
 1. MAINTAIN THIS DOCUMENT IN CONFIDENCE
 2. NOT TO REPRODUCE OR COPY IT
 3. NOT TO REVEAL OR PUBLISH IT IN WHOLE OR IN PART

COPYRIGHT © 2019