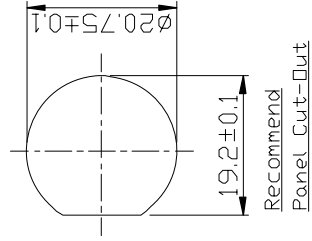
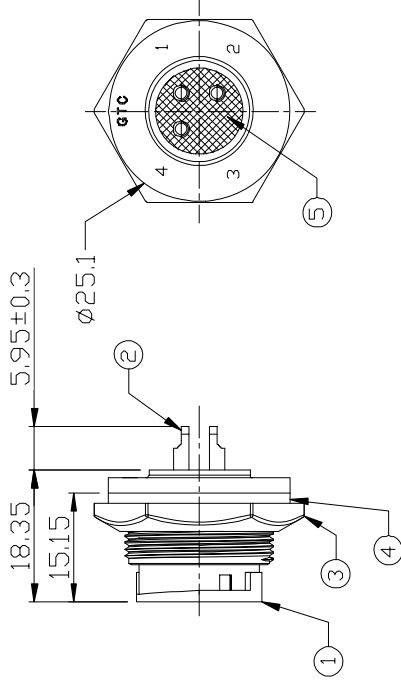
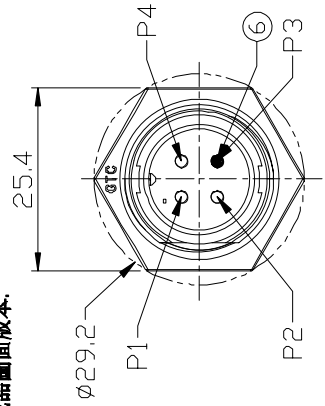


Notes: (Unless Otherwise Specified)

1. Waterproof Rate: IP67.
2. Recommend Panel Thickness: 0.8 to 4.0 mm.
3. Recommend Torque: 14.0~15.0 Kgf-cm.
4. Mating Cap P/N: GT1C5321X2.
5. RoHS Compliant.
6. 產品採用USB 10PCS吸塵盒包裝,並於吸塵盒上蓋貼上標籤.

RR-153210-03030\_REVXX\_QTY:10PCS  
**LOT: XXXX**  
**Made in China**

7. 標籤上的REV: 請依照成品圖面版本.



6	Gland Pin	Thermoplastic Color: Black	1
5	Glue	Epoxy Color: Black	1
4	Gasket	Silicone Color: Black	1
3	Hex Nut	Thermoplastic Color: Black	1
2	Contacts	Copper Alloy Finish: Au Plated	3
1	Housing	Thermoplastic Color: Black	1
Item Part Name		Material / Finish	Qty

**GTC**  
**DOC.CENTER.ISSUE**  
**OCT.15.2015**  
**ONLY FOR**  
**RELEASE**

www.USBFireWire.com

NOTICE OF PROPRIETARY PROPERTY:  
 THE INFORMATION CONTAINED HEREIN IS THE PROPRIETARY PROPERTY OF USBFIREWIRE.COM THE POSSESSOR AGREES TO THE FOLLOWING:  
 (a) TO MAINTAIN THIS DOCUMENT IN CONFIDENCE  
 (b) NOT TO REPRODUCE OR COPY IT  
 (c) NOT TO DISCLOSE OR PUBLISH IT IN WHOLE OR PART  
 (d) ALL RIGHTS RESERVED

TITLE		C3 10A 3P Panel Male Solder Lock		DRAWING NUMBER	RR-153210-03030	REV.	A0
DO NOT SCALE DRAWINGS	SIZE	B	N/A	XX	± 0.5	X.XXX	± 0.05
	SCALE			X.XX	± 0.2	ANGLES	± 1°
THIRD ANGLE PROJECTION	DRAW / DATE	Joyce	10/14/15	APPROVE / DATE	Lucas	10/14/15	UNIT
							mm
							SHEET
							4