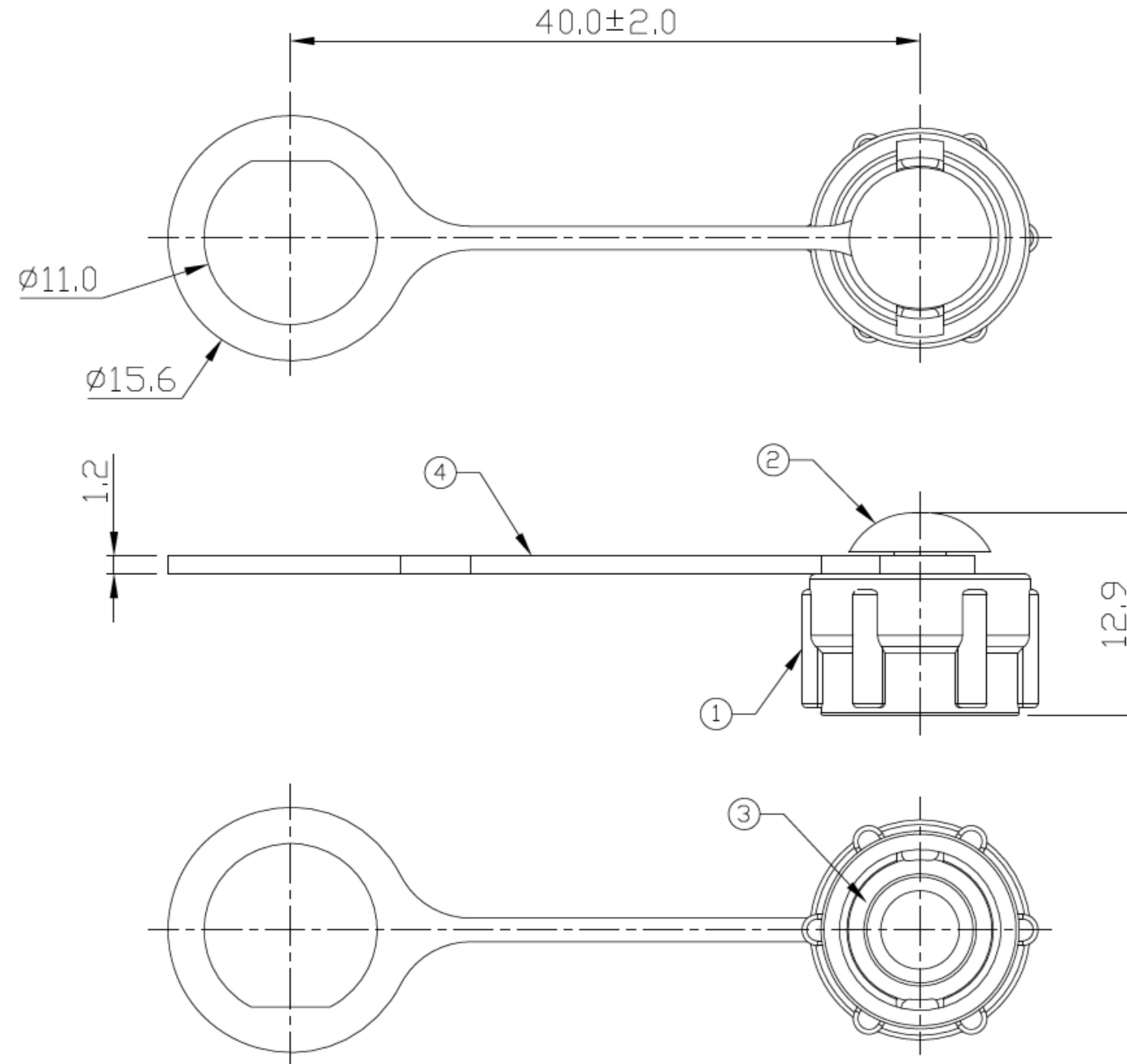


Notes: (Unless Otherwise Specified)

1. Waterproof Rate: IP68.
2. RoHS & REACH Compliant.

REV	ECN#	DESCRIPTION OF REVISION	DRAW BY DATE	CHECK BY DATE	APPROVE BY DATE
A0		Mass Production	Joyce 09/21/17	Lucas 09/21/17	Ray 09/21/17



DOC.CENTER.ISSUE  
SEP.21.2017  
ONLY FOR  
RELEASE

Item	Part Name	Material / Finish	Q'ty
4	Rubber Chain	TPE Color: Black	1
3	D-Ring	Silicone Color: Red	1
2	Rivet	Thermoplastic Color: Black	1
1	Lock Cap	Thermoplastic Color: Black	1

TITLE Cap Plastic For C1 Lock Panel With Rubber Chain			DRAWING NUMBER RR-1C512122			REV. A0		
THIRD ANGLE PROJECTION	SIZE B	SCALE 1:1	DRAW / DATE Joyce 09/21/17	CHECK / DATE Lucas 09/21/17	APPROVE / DATE Ray 09/21/17	TOLERANCES X.X ± 0.5 X.XX ± 0.2	UNIT mm	SHEET 1/1

  
**USB FIREWIRE.com**

THE INFORMATION CONTAINED HEREIN IS THE PROPRIETARY INFORMATION OF RR BUSINESS VENTURES, LLC. THE POSSESSOR AGREES TO THE FOLLOWING  
 1. MAINTAIN THIS DOCUMENT IN CONFIDENCE  
 2. NOT TO REPRODUCE OR COPY IT  
 3. NOT TO REVEAL OR PUBLISH IT IN WHOLE OR IN PART

COPYRIGHT © 2019