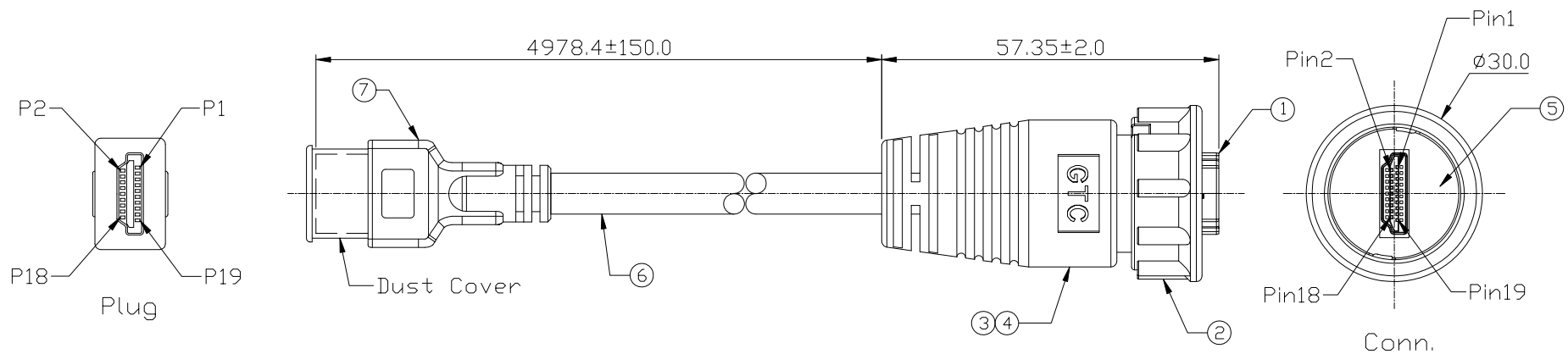
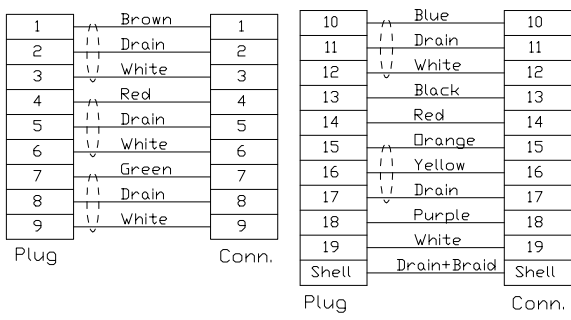


Notes: (Unless Otherwise Specified)  
 1. Waterproof Rate: IP67.  
 2. RoHS Compliant.

REV	ECN#	DESCRIPTION OF REVISION	DRAW BY DATE	CHECK BY DATE	APPROVE BY DATE
01			Joyce 10/14/15	Lucas 10/14/15	Ray 10/14/15



7	HDMI Male	HDMI 19P Male IDC Type Color: Black	1
6	Cable	UL20276 [(28#/1PR+EAM)*4+(1PR/28#+EAM)+28#/4C]+AB85% Color: Black, OD=6.8mm	1
5	Rubber Pad	Silicone Color: Black	1
4	Over Mold	PVC Color: Black	1
3	Inner Mold	Thermoplastic Color: Black	1
2	Lock Nut	Thermoplastic Color: Black	1
1	HDMI Plug	Housing: Thermoplastic, Color: Black Contacts: Copper Alloy, Finish: Au Plated Shell: Copper Alloy, Finish: Au Plated	1
Item	Part Name	SiliconeMaterial / Finish	Q'ty



TITLE						DRAWING NUMBER			REV.	
HDMI C4 Plastic Cable End Plug Lock With HDMI Plug						RR-1H1220-02-196			01	
	B	1:1	Joyce 10/14/15	Lucas 10/14/15	Ray 10/14/15	X.X ± 0.5	X.XXX ± 0.05	mm	1/1	
THIRD ANGLE PROJECTION	SIZE	SCALE	DRAW / DATE	CHECK / DATE	APPROVE / DATE	TOLERANCES		UNIT	SHEET	

**www.USBFireWire.com**

NOTICE OF PROPRIETARY PROPERTY:  
 THE INFORMATION CONTAINED HEREIN IS THE PROPRIETARY PROPERTY OF USBFIREWIRE.COM. THE POSSESSOR AGREES TO THE FOLLOWING:  
 (1) TO MAINTAIN THIS DOCUMENT IN CONFIDENCE  
 (2) NOT TO REPRODUCE OR COPY IT  
 (3) NOT TO REVEAL OR PUBLISH IT IN WHOLE OR PART  
 (4) ALL RIGHTS RESERVED