

Notes: (Unless Otherwise Specified)

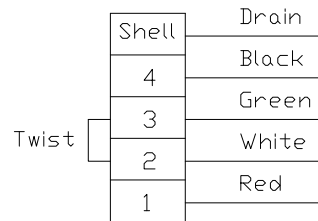
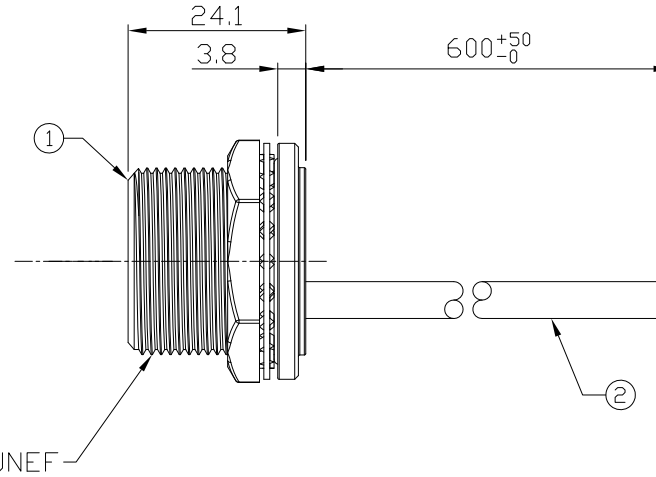
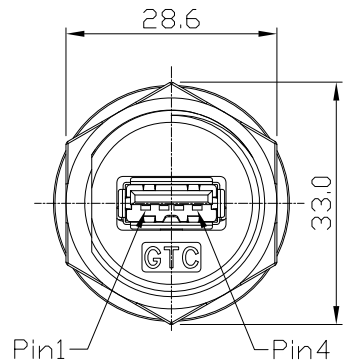
1. Waterproof Rate: IP68.
2. Recommend Panel Thickness: 0.8 to 8.0 mm.
3. Recommend Torque: 19~20 Kgf-cm.
4. Mating Cap: GT1C543122.
5. RoHS Compliant.
6. 產品採用無Logo PE袋單PCS包裝; 並將標籤貼於袋外.

RR-211300-03-Z6_REV:XX_QTY:1PCS
LOT: XXXX
Made in China

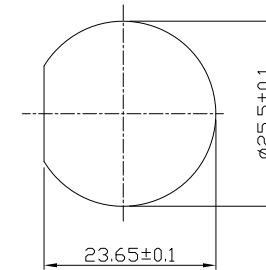
7. 每25PCS產品再用防水袋包裝; 並將標籤貼於袋外.

RR-211300-03-Z6_REV:XX_QTY:25PCS
LOT: XXXX
Made in China

8. 標籤上的REV: 請依照成品圖面版本.
9. 不可使用夾鍊袋.



Wiring Diagram



Recommend Panel Cut-Out

2	USB Cable	UL2725 IP*28AWG+2C*24AWG+Al/My+D+B DD=5.0±0.2, Color: Black	1
1	USB-A Metal C4 Panel Jack Screw	RR-211300-03-Z6	1
Item	Part Name	Material / Finish	Q'ty

TITILE						DRAWING NUMBER			REV.	
USB-A Metal C4 Panel Jack Screw With 0.6M Cable						RR-211300-03-Z6			01	
THIRD ANGLE PROJECTION	SIZE	SCALE	DRAW / DATE	CHECK / DATE	APPROVE / DATE	TOLERANCES		UNIT	SHEET	
	B	1:1	Lucas 03/30/18	Lucas 03/30/18	Ray 03/30/18	X.X ± 0.5 X.XX ± 0.2	X.XXX ± 0.05 ANGLES ± 1°	mm	1/1	

USB FIREWIRE.com

THE INFORMATION CONTAINED HEREIN IS THE PROPRIETARY INFORMATION OF RR BUSINESS VENTURES, LLC. THE POSSESSOR AGREES TO THE FOLLOWING

1. MAINTAIN THIS DOCUMENT IN CONFIDENCE
2. NOT TO REPRODUCE OR COPY IT
3. NOT TO REVEAL OR PUBLISH IT IN WHOLE OR IN PART

COPYRIGHT © 2019