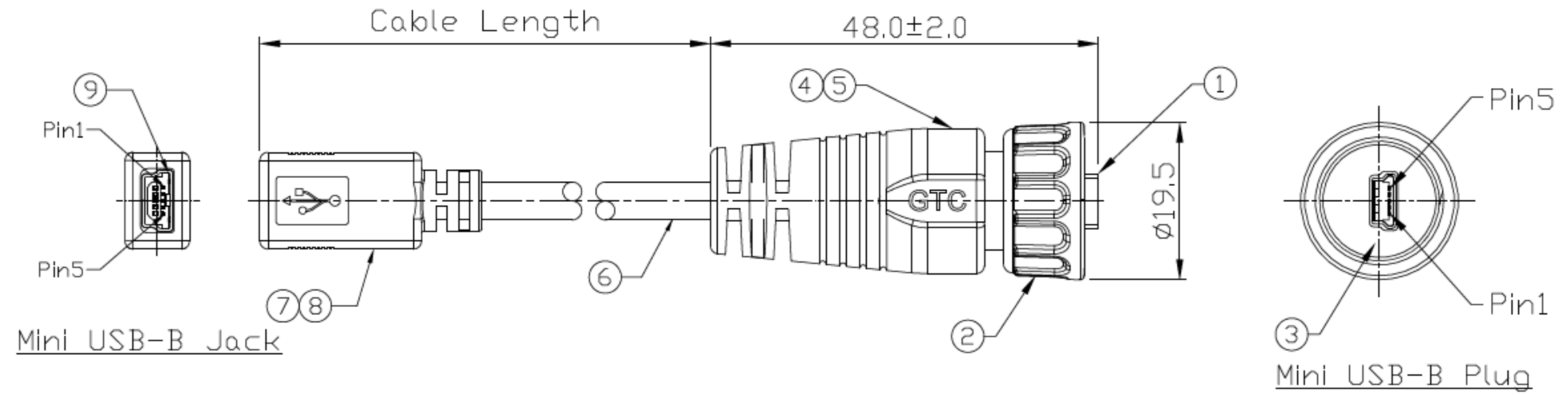


Notes: (Unless Otherwise Specified)

1. Waterproof Rate: IP68.
2. RoHS & REACH Compliant.

REV	ECN#	DESCRIPTION OF REVISION	DRAW BY DATE	CHECK BY DATE	APPROVE BY DATE
A0		Mass Production	Joyce 08/04/16	Lucas 08/04/16	Ray 08/04/16



9	Mini USB-B Receptacle	Housing: Thermoplastic, Color: Black Contacts: Copper Alloy, Finish: Au Plated Shell: Copper Alloy, Finish: Ni Plated	1
8	Over Mold	PVC Color: Black	1
7	Inner Mold	Thermoplastic Color: Black	1
6	Cable	UL2725 1P*28AWG+3C*24AWG+Al/My+D+B OD=5.0mm, Color: Black	1
5	Over Mold	PVC Color: Black	1
4	Inner Mold	Thermoplastic Color: Black	1
3	Rubber Pad	Silicone Color: Black	1
2	Screw Nut	Zn Alloy Finish: Ni Plated	1
1	Mini USB-B Plug	Housing: Thermoplastic, Color: Black Contacts: Copper Alloy, Finish: Au Plated Shell: Cold Roll Steel, Finish: Ni Plated	1
Item	Part Name	Material / Finish	Q'ty



DOC.CENTER.ISSUE  
NOV.28.2016  
ONLY FOR  
RELEASE

RR-214320-08-78	2000 mm	+100
RR-214320-08-39	1000 mm	+50
Part No.	Cable Length	Tol.

www.USBFireWire.com

TITLE						DRAWING NUMBER			REV.
Mini USB-B Metal C2 Cable End Plug Screw With Cable + Mini USB-B Receptacle						RR-214320-08-XX			A0
THIRD ANGLE PROJECTION	SIZE	SCALE	DRAW / DATE	CHECK / DATE	APPROVE / DATE	TOLERANCES	UNIT	SHEET	
	B	1:1	Joyce 08/04/16	Lucas 08/04/16	Ray 08/04/16	X.X ± 0.5 X.XX ± 0.2	mm	1/1	
						X.XXX ± 0.05 ANGLES ± 1°			

NOTICE OF PROPRIETARY PROPERTY:  
THE INFORMATION CONTAINED HEREIN IS THE PROPRIETARY PROPERTY OF GT CONTACT CO.,LTD THE POSSESSOR AGREES TO THE FOLLOWING:  
(1) TO MAINTAIN THIS DOCUMENT IN CONFIDENCE  
(2) NOT TO REPRODUCE OR COPY IT  
(3) NOT TO REVEAL OR PUBLISH IT IN WHOLE OR PART  
(4) ALL RIGHTS RESERVED