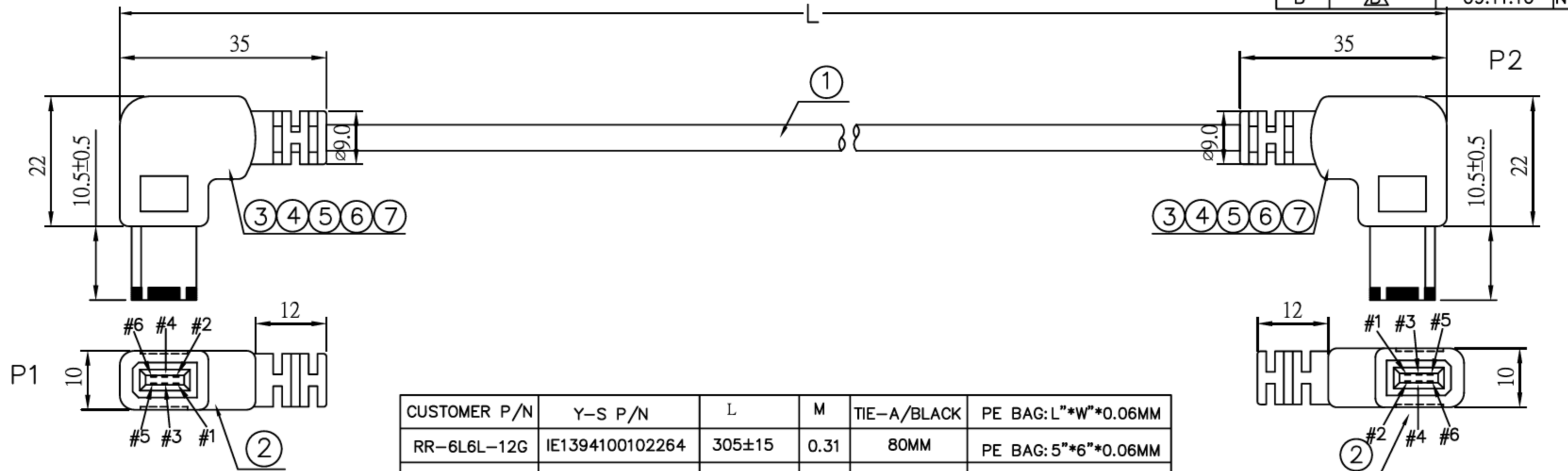
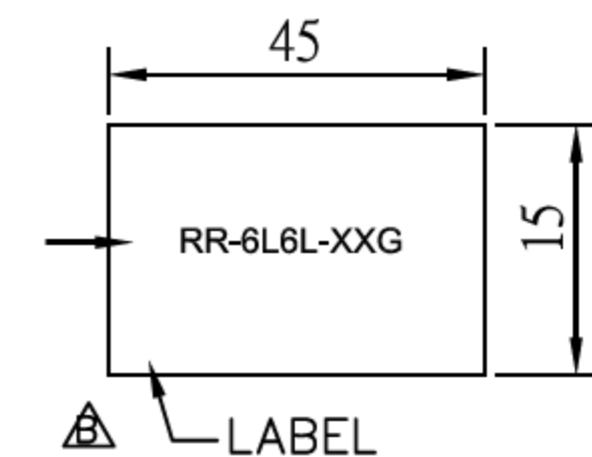


DESCRIPTION CONTROL			
REV	DESC	DATE	APP
B	$\Delta$	09.11.16	N20911163

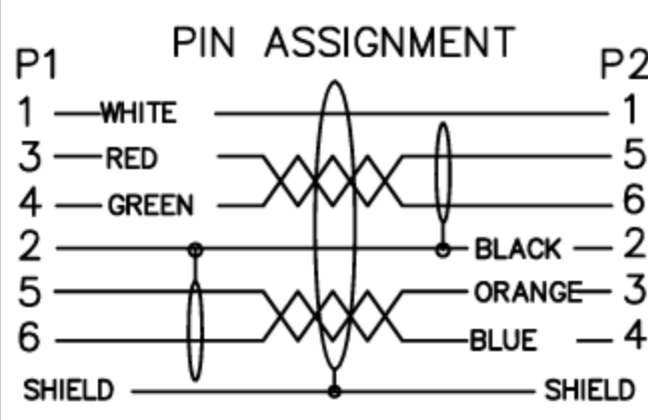


CUSTOMER P/N	Y-S P/N	L	M	TIE-A/BLACK	PE BAG: L*W*0.06MM
RR-6L6L-12G	IE1394100102264	305±15	0.31	80MM	PE BAG: 5"*6"*0.06MM
RR-6L6L-18G	IE1394100202264	457±20	0.46	80MM	PE BAG: 5"*6"*0.06MM
RR-6L6L-24G	IE1394100302264	610±20	0.62	80MM	PE BAG: 5"*6"*0.06MM



RoHS COMPLIANT

*	390	LABEL: "RR-6L6L-XXG" 45*15MM	$\Delta$	1	PCS
*	390	CARTON: 46*30*25CM		A/R	PCS
*	390	PE BAG: 30"*28"*0.08MM		A/R	PCS
*	390	TIE-A/BLACK		***	MM
*	390	PE BAG: L"*W"*0.06MM		1	PCS
7	370	HI TEAMP TAPE: W: 8MM		40*4	MM
6	370	HI-TEAMP-TAPE: W: 6MM		35*2	MM
5	210	TUBE-HT-Ø1.5MM		12.0*2	MM
4	370	FOIL-AL-36MM		40*2	MM
3	370	PVC-BLACK10/80		14.0	G
2	110111006023	IE1394-6P<BK>		2	SET
1	130806110004	30/22-(1P+A+B)*2/2C+MYLAR+A+B -BK10-5.5U20276		L	M
NO	PART NO.	DESCRIPTION		QTY	UNIT



INNER MOLDING	IEE1394-056KF		
OUTER MOLDING	IEE1394-057KF		
<a href="http://www.USBFireWire.com">www.USBFireWire.com</a>			
DRAWN, BY:		SCALE: NONE	DATE: 2009-04-08
CHECKED, BY:		CUSTOMER: C331	PAGE: 1/1
APP'ED, BY:		CUSTOMER P/N:	
ITEM: IE1394100XX2264		REV B	
ALL DIMENSIONS IN mm			