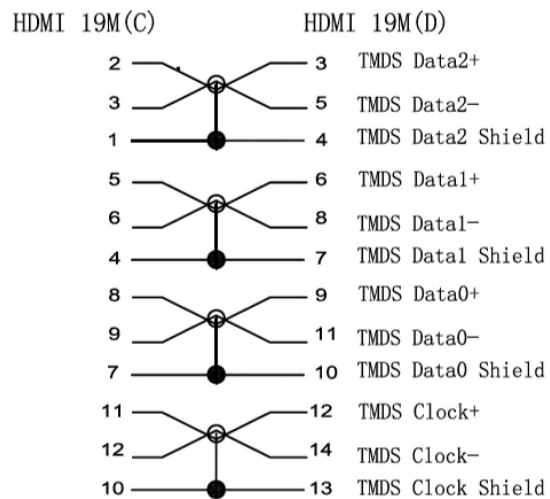
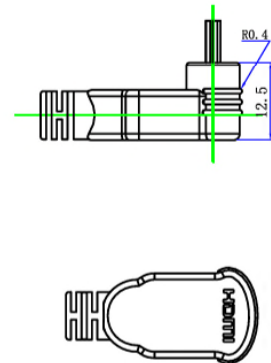
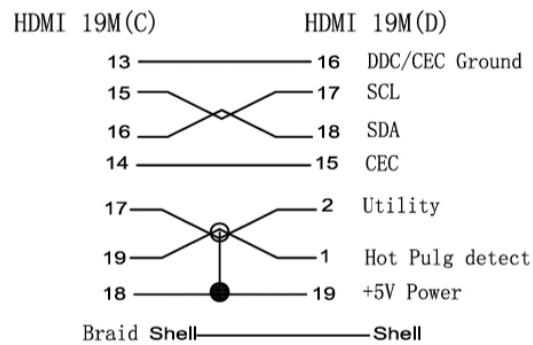


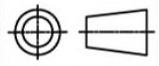
**PIN ASSIGNMENT**



**PIN ASSIGNMENT**



ROHS Compliant



[www.USBFireWire.com](http://www.USBFireWire.com)

4	65P Black PVC								
3	HDMI AF, BLACK INSULATION, SHELL 3U" GOLD PLATED WITH SOLDER(P/N YQT-HCM3)								
2	HDMI DM, BLACK INSULATION, SHELL 3U" GOLD PLATED WITH SOLDER(P/N YQT-HDM3)								
1	(1P*30AWG+D+AL)*5C+4C*30AWG+AL+D+B OD5.5 L=5in/12in/24in/6ft Black								
NO	Descriptron	Q'	TY	Unit	ANGLE			SCALE	1:1 UNIT mm

Tolerance, Unless Otherwise Specified	UP TO 5	±0.2	DRAW:		TITLE	HDMI DM TO CM
	ABOVE 5 —30	±0.3	CHECKED:		PART NO.	RR-7S-5U-XXG
	ABOVE 30—50	±0.4	APPROVED:		DRAW NO.	
	ABOVE 50	±0.5	DATE		SCALE	1:1 UNIT mm