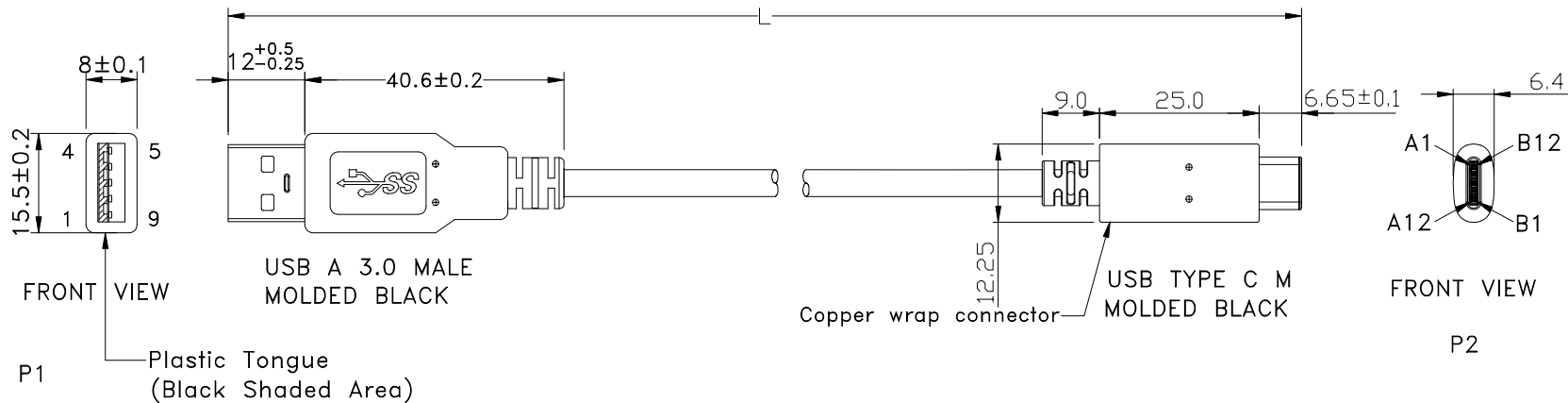


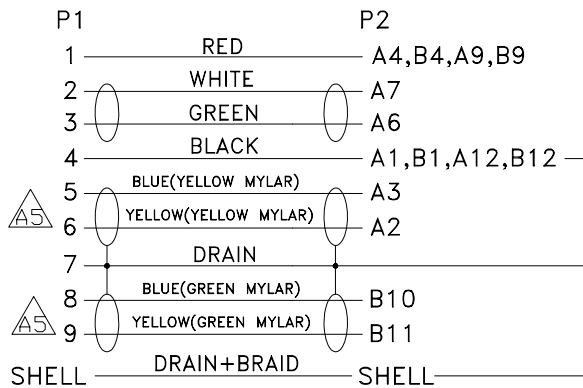
Note:

1.Type C AB面接點需跟圖面一致.

REV	ECN#	DESCRIPTION OF REVISION	DRAW BY DATE	CHECK BY DATE	APPROVE BY DATE
A5	ECN-190852	Change Wire&Mylar Color	Lucas 09/02/19	Lucas 09/02/19	Ray 09/02/19



PIN OUT



GTC
DOC.CENTER.ISSUE
SEP.03.2019
ONLY FOR
RELEASE



P/N	LENGTH
RR-ASCS-12GRC	305±20
RR-ASCS-24GRC	610±30
RR-ASCS-48GRC	1220±30
RR-ASCS-54GRC	1372±30

TITLE USB 3.0 A TYPE MALE TO USB TYPE C MALE						DRAWING NUMBER RR-ASCS-XXGRC			REV. A5	
THIRD ANGLE PROJECTION	SIZE B	SCALE 1:1	DRAW / DATE Lucas 12/12/14	CHECK / DATE Ray 12/12/14	APPROVE / DATE Ray 12/12/14	XX ± 0.5 X.XX ± 0.2	XXX ± 0.05 ANGLES ± 1°	mm	1/3	
						TOLERANCES			UNIT	SHEET

USBFIREWIRE.com

THE INFORMATION CONTAINED HEREIN IS PROPRIETARY AND CONFIDENTIAL TO RR BUSINESS VENTURES, LLC. THE POSSESSOR AGREES TO THE FOLLOWING

1. MAINTAIN THIS DOCUMENT IN CONFIDENCE
2. NOT TO REPRODUCE OR COPY IT
3. NOT TO REVEAL OR PUBLISH IT IN WHOLE OR PART

1

2

3

4

REV	ECN#	DESCRIPTION OF REVISION	DRAW BY DATE	CHECK BY DATE	APPROVE BY DATE
A5	ECN-190852	Change Wire&Mylar Color	Lucas 09/02/19	Lucas 09/02/19	Ray 09/02/19

***CONSTRUCTION:

1.CABLE: * UL2725 (1P/30#+EAM)*2+(1P/30#)+(2C/24#)+AEB(AL)65% OD:5.0mm
BLACK PVC JACKET.

***CONNECTOR:

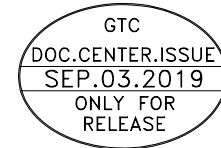
2.USB A/M: * USB A "3.0" TYPE 9PIN MALE SOLDER TYPE. (NEW-CONN P/N:06801508M5CA)
* PINS: 30u GOLD PLATED OVER NICKEL.
* INSULATOR: BLUE COLOR P.B.T UL 94V-0 RATED.
* SHELL: STEEL WITH GOLD FLASH .
* MOLDED: BLACK PVC 45P.

3.USB C/M: * USB TYPE C MALE SOLDER TYPE.
* PINS: 30u GOLD PLATED OVER NICKEL.
* INSULATOR: BLACK THERMOPLASTIC UL 94V-0.
* SHELL: STEEL WITH GOLD FLASH.
* RESISTOR(56KΩ) AND CAPACITOR.
* MOLDED: BLACK PVC 45P.

4.TEST: * CT: 2 ohm IS: 5M ohm DC300V 0.1S

5.PACKING: * PACK EACH CABLE IN A POLY BAG AND 25PCS IN A POLY BAG.

6.MATERIAL: * MATERIAL WITH RoHS GRADE.



TITLE USB 3.0 A TYPE MALE TO USB TYPE C MALE				DRAWING NUMBER RR-ASCS-XXGRC				REV. A5	
-------------------------------------------------	--	--	--	---------------------------------	--	--	--	------------	--

	B	1:1	Lucas 12/12/14	Ray 12/12/14	Ray 12/12/14	X.X ± 0.5 X.XX ± 0.2	X.XXX ± 0.05 ANGLES ± 1°	mm	2/3
THIRD ANGLE PROJECTION	SIZE	SCALE	DRAW / DATE	CHECK / DATE	APPROVE / DATE	TOLERANCES		UNIT	SHEET

THE INFORMATION CONTAINED HEREIN IS PROPRIETARY AND CONFIDENTIAL TO RR BUSINESS VENTURES, LLC. THE POSSESSOR AGREES TO THE FOLLOWING

1. MAINTAIN THIS DOCUMENT IN CONFIDENCE
2. NOT TO REPRODUCE OR COPY IT
3. NOT TO REVEAL OR PUBLISH IT IN WHOLE OR PART

1

2

3

4