

Notes: (Unless Otherwise Specified)

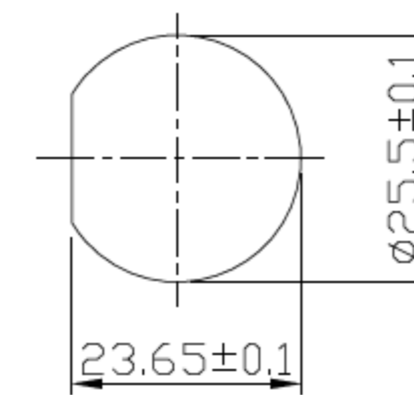
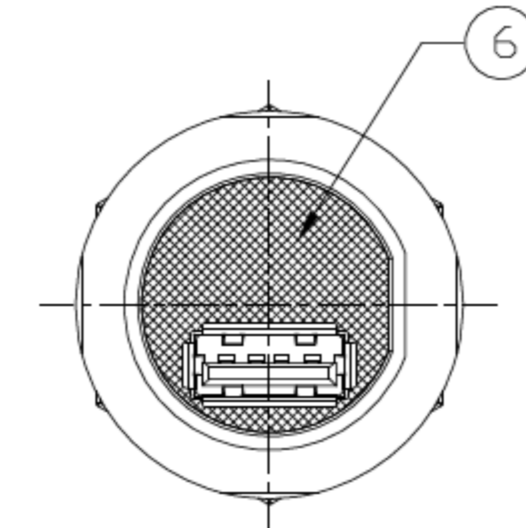
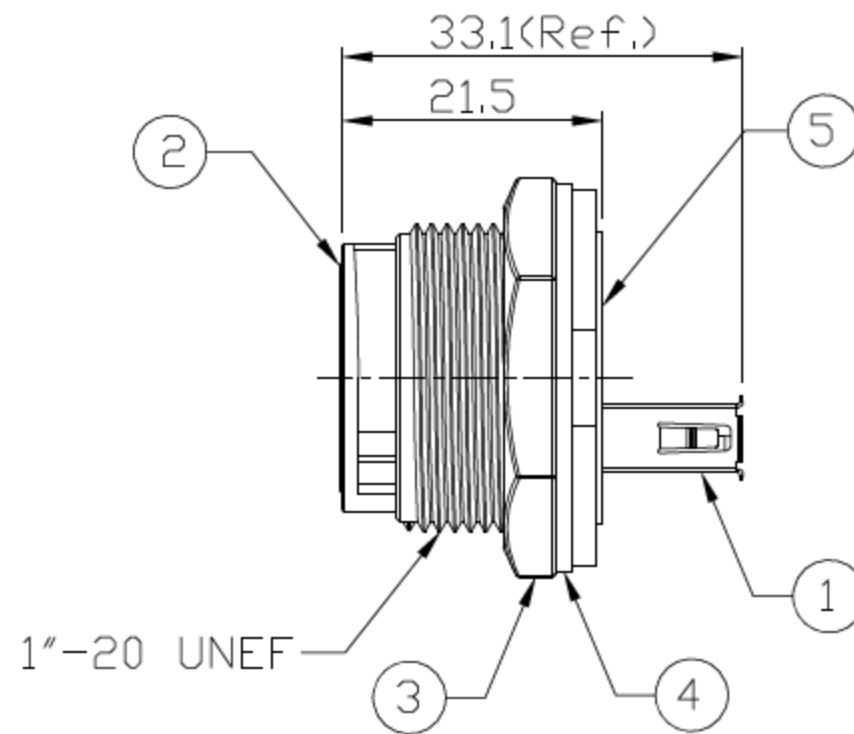
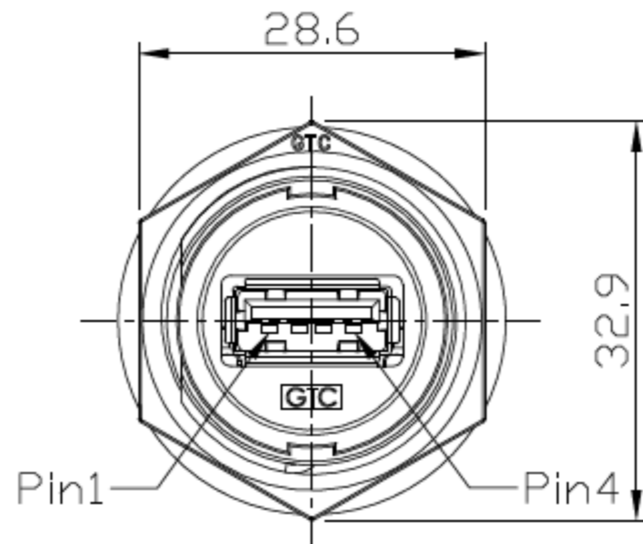
1. Waterproof Rate: IP67.
2. Recommend Panel Thickness: 0.8 to 6.0 mm.
3. Recommend Torque: 6~7 Kgf-cm.
4. Mating Cap P/N: GT1C1110X2.
5. RoHS Compliant.
6. 產品採用USB 10PCS吸塑盒包裝;並於吸塑盒上蓋貼上標籤.



RR-111200-30\_REV:XX\_QTY:10PCS  
**LOT: XXXX**  
**Made in China**

7. 標籤上的REV: 請依照成品圖面版本.

REV	ECN#	DESCRIPTION OF REVISION	DRAW BY DATE	CHECK BY DATE	APPROVE BY DATE
A0		Mass Production	Joyce 04/10/12	Lucas 04/10/12	Ray 04/10/12
A1	ECN-121114	Modify Label Type & Packing Q'ty	Joyce 11/21/12	Lucas 11/21/12	Ray 11/21/12



Recommend  
Panel Cut-Out



6	Glue	Epoxy Color: Black	
5	PCB	FR-4 Color: Green	1
4	Gasket	Silicone Color: Black	1
3	Hex Nut	Thermoplastic Color: Black	1
2	Housing	Thermoplastic Color: Black	1
1	USB-A Receptacle	Housing: Thermoplastic, Color: Black Contacts: Copper Alloy, Finish: Au Plated Shell: Copper Alloy, Finish: Ni Plated	2
Item	Part Name	Material / Finish	Q'TY

TITLE				DRAWING NUMBER			REV.	
USB-A Plastic C4 Panel Jack With USB-A Jack Lock				RR-111200-30			A1	
	B	1:1	Joyce 04/10/12	Lucas 04/10/12	Ray 04/10/12	X.X ± 0.5 X.XX ± 0.2	X,XXX ± 0.05 ANGLES ± 1°	mm
THIRD ANGLE PROJECTION	SIZE	SCALE	DRAW / DATE	CHECK / DATE	APPROVE / DATE	TOLERANCES		UNIT
								1/1
								SHEET

**USB FIREWIRE.com**

THE INFORMATION CONTAINED HEREIN IS THE PROPRIETARY INFORMATION OF RR BUSINESS VENTURES, LLC. THE POSSESSOR AGREES TO THE FOLLOWING

1. MAINTAIN THIS DOCUMENT IN CONFIDENCE
2. NOT TO REPRODUCE OR COPY IT
3. NOT TO REVEAL OR PUBLISH IT IN WHOLE OR IN PART

COPYRIGHT © 2019