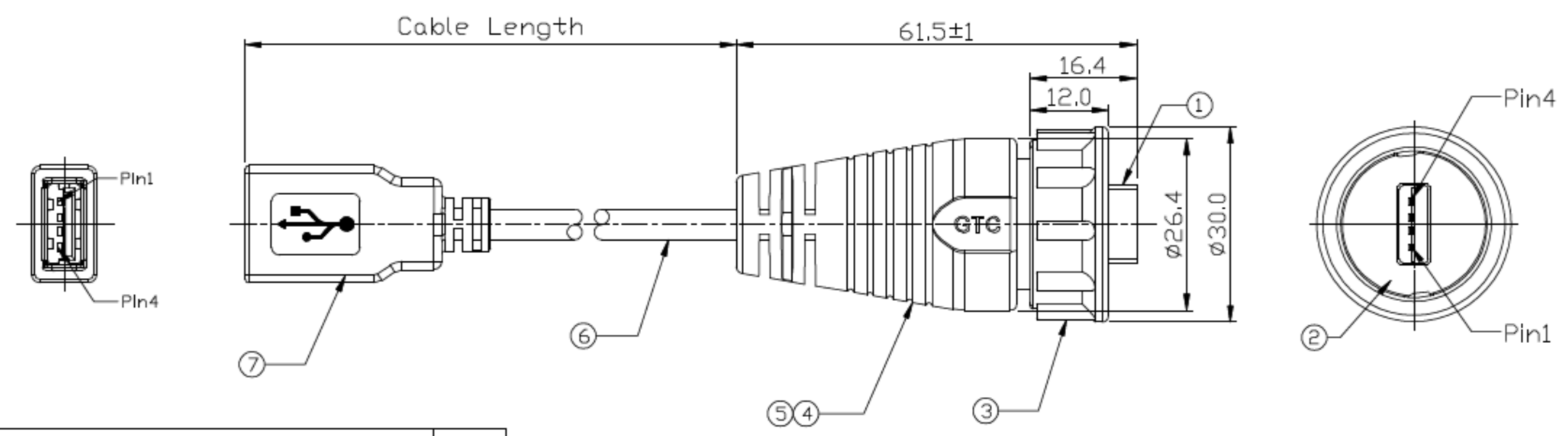


REV	ECN#	DESCRIPTION OF REVISION
A0		042010

Notes:(Unless Otherwise Specified)
 1. Waterproof Rate: IPX7(Mating)
 2. RoHS Compliance.

1	Red
2	White
3	Green
4	Black
Shield	Drain

Wiring Diagram



Item	Part Name	Material/Finish	Q'ty
1	USB-A Plug	Shell: Copper Alloy Finish: NI Plated	1
		Hosing: Thermal Plastic Color: Black	1
		Contacts: Copper Alloy Finish: Au Plated	4
2	Rubber Pad	Silicone Color: Black	1
3	Lock Nut	Thermal Plastic Color: Black	1
4	Inner Mold	Thermal Plastic Color: Black or White	1
5	Over Mold	PVC Color: Black	1
6	Cable	UL 2725 1P*28#+2C*24#+AL/My+D+B ØD=5.0mm,UV Resistance Color: Black	1
7	USB-A Receptacle	Shell: Copper Alloy Finish: NI Plated	1
		Hosing: Thermal Plastic Color: Black	1
		Contacts: Copper Alloy Finish: Au Plated	4

METRIC		www.USBFireWire.com	
DRAFTER Lucas	DATE 04/26/10	NOTICE OF PROPRIETARY PROPERTY: THE INFORMATION CONTAINED HEREIN IS THE PROPRIETARY PROPERTY OF GT CONTACT CO.,LTD THE POSSESSOR AGREES TO THE FOLLOWING: (1) TO MAINTAIN THIS DOCUMENT IN CONFIDENCE (2) NOT TO REPRODUCE OR COPY IT (3) NOT TO REVEAL OR PUBLISH IT IN WHOLE OR PART (4) ALL RIGHTS RESERVED	
APPROVED Ray	DATE 04/26/10		
DIMENSIONS ARE IN MILLIMETER TOLERANCES XX ±0,5 X,XX ±0,20 X,XXX ±0,05 ANGLES ±2° DO NOT SCALE DRAWINGS		TITLE USB-A C4 Plastic Cable End, Lock Nut With USB-A Receptacle	
THIRD ANGLE PROJECTION		DRAWING NUMBER RR-111220-06-XX	REV. A0
SIZE B		SCALE 1:1	SHT 1 OF 1