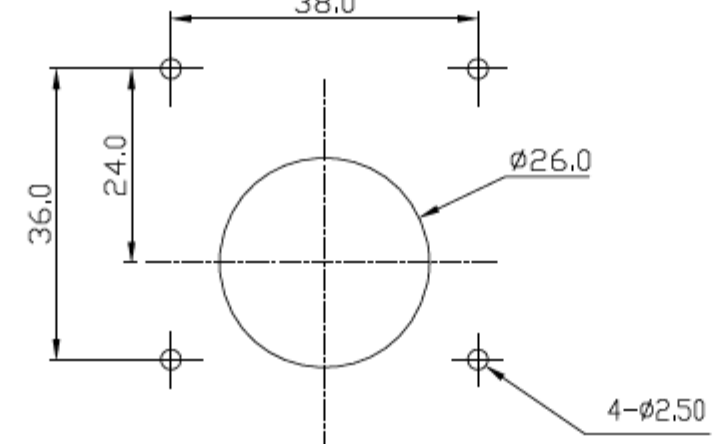
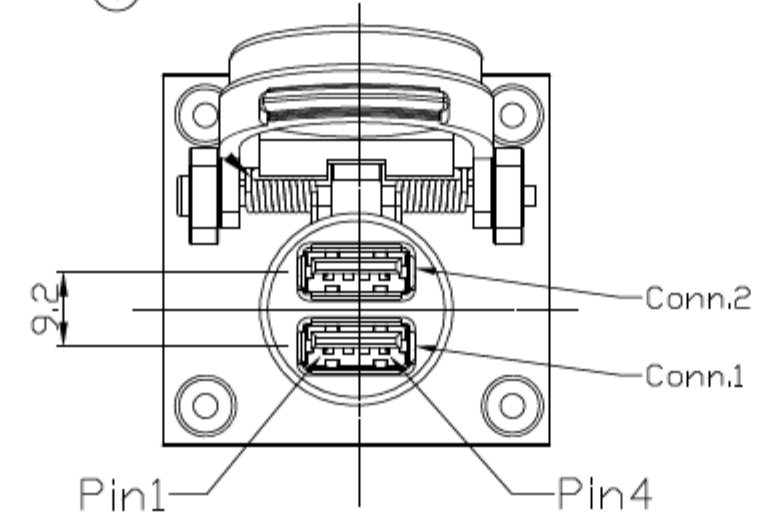
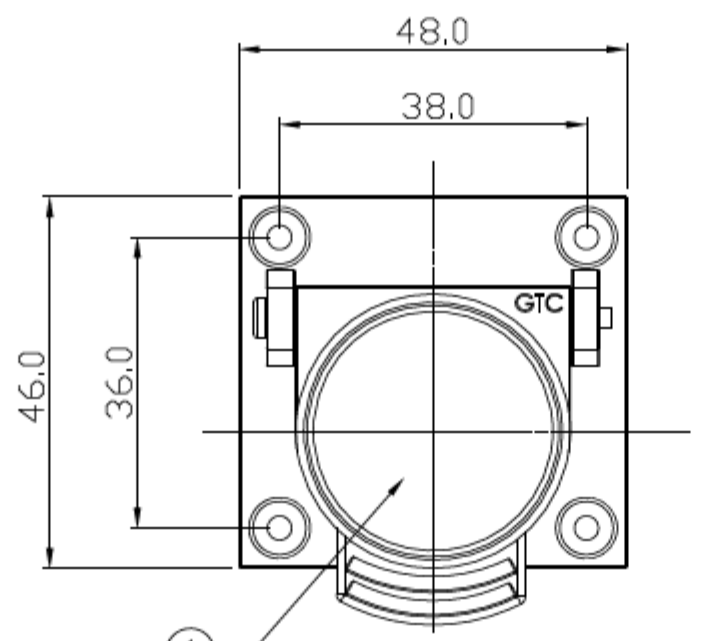
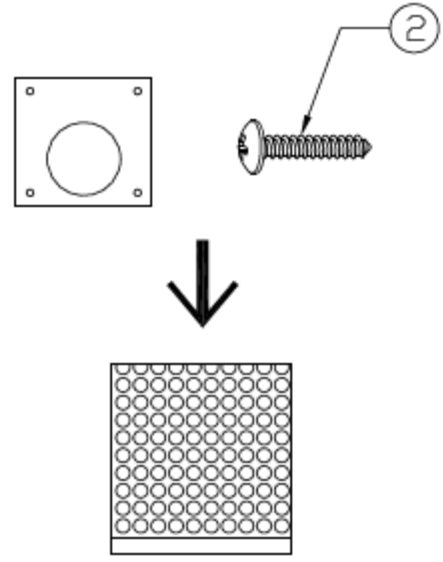


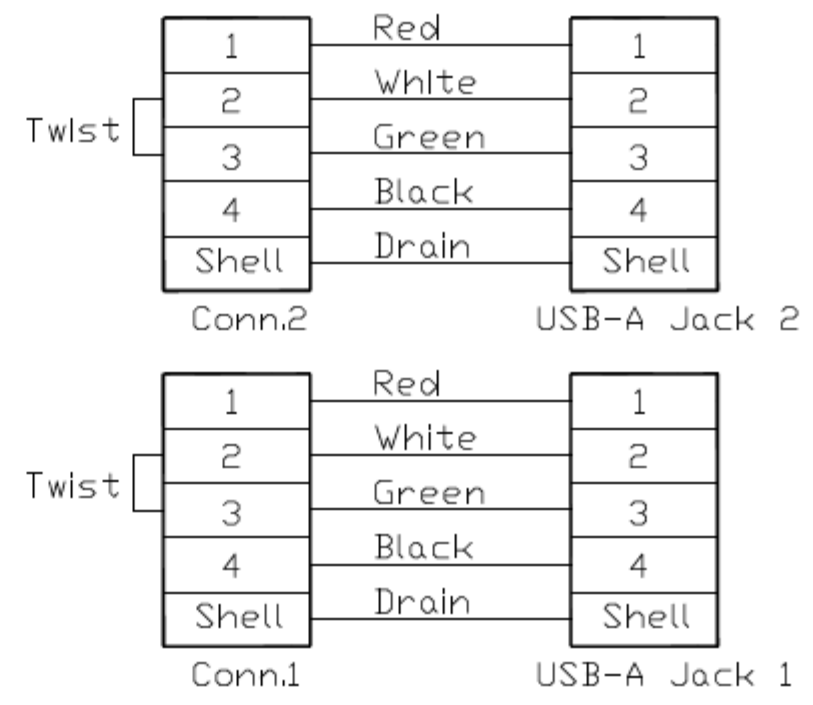
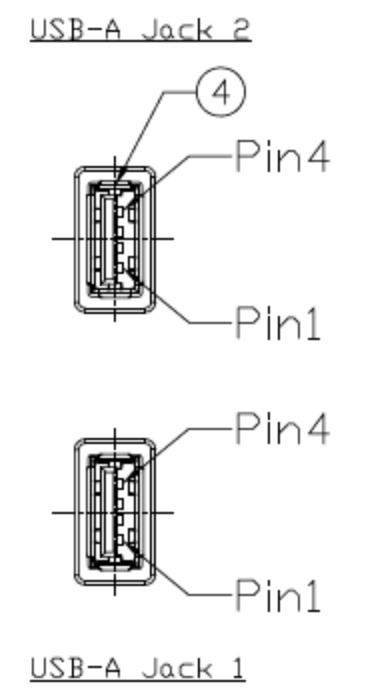
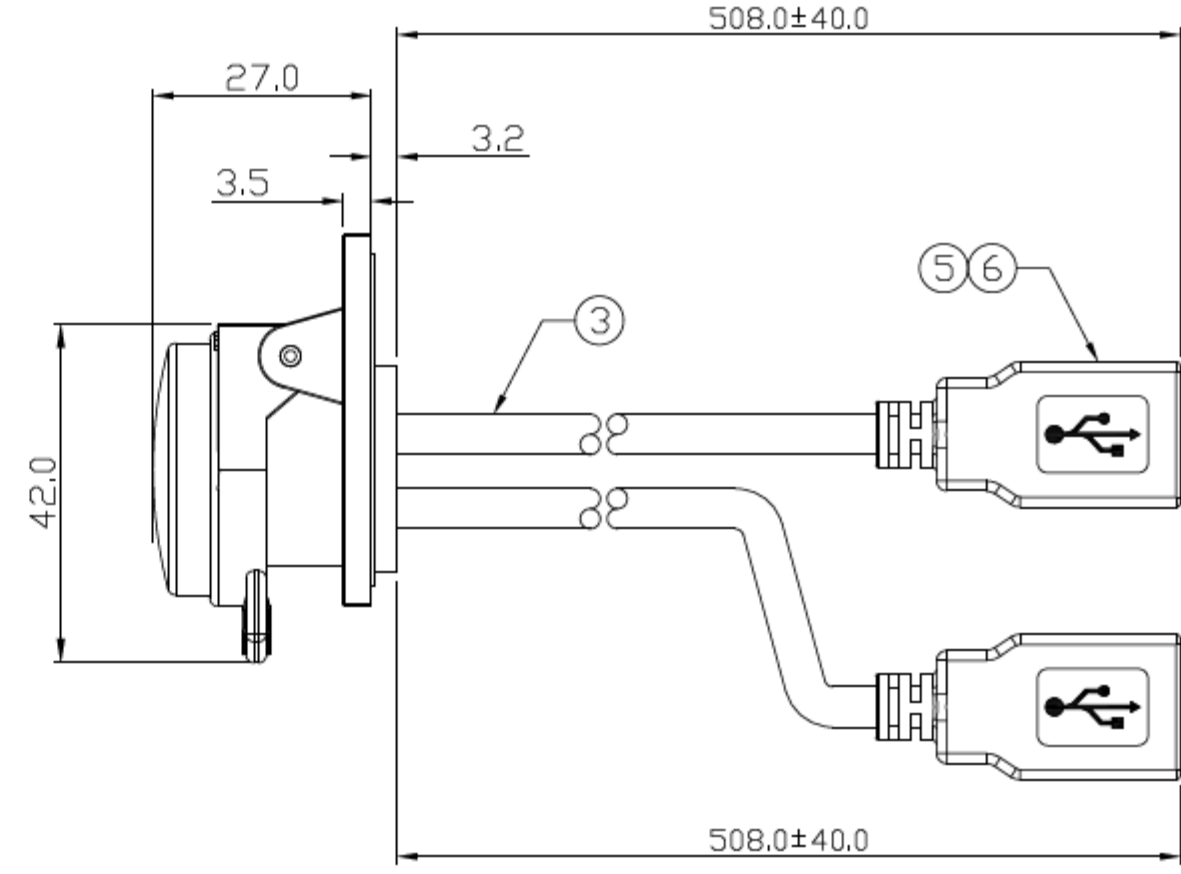
Notes: (Unless Otherwise Specified)

1. Waterproof Rate: IP65.
2. Recommend Panel Thickness: 0.8 to 3.0 mm.
3. RoHS Compliant.

REV	ECN#	DESCRIPTION OF REVISION	DRAW BY DATE	CHECK BY DATE	APPROVE BY DATE
01			Joyce 10/16/15	Lucas 10/16/15	Ray 10/16/15



Recommend
Panel Cut-Out
Scale 1:1



R&D DEPT. ISSUE
OCT.16.2015
ONLY FOR
RELEASE

Item	Part Name	Material / Finish	Q'ty
6	Over Mold	PVC Color: Black	2
5	Inner Mold	Thermoplastic Color: Black Or White	2
4	USB-A Receptacle	Housing: Thermoplastic, Color: White Contacts: Copper Alloy, Finish: Gold Flash Shell: SPCC, Finish: Ni Plated	2
3	Cable	UL2725 1P*28AWG+2C*20AWG+AI/My+D+B Color: Black, OD=5.0mm	2
2	Screw	Stainless(TP1) Finish-	4
1	USB-A C4 Panel Square Flange Dual-USB JACK With Cable + Cap	GT Contact P/N: GT111443-04-XX	1

TITLE USB-A C4 Panel Square Flange Dual-USB JACK With 20inches Cable + Cap + USB-A Receptacle				DRAWING NUMBER RR-111443-06-20			REV. 01	
 THIRD ANGLE PROJECTION	SIZE B	SCALE 1:1	DRAW / DATE Joyce 10/16/15	CHECK / DATE Lucas 10/16/15	APPROVE / DATE Ray 10/16/15	TOLERANCES X.X ± 0.5 X.XX ± 0.2	UNIT mm	SHEET 1/1

THE INFORMATION CONTAINED HEREIN IS THE PROPRIETARY INFORMATION OF RR BUSINESS VENTURES, LLC. THE POSSESSOR AGREES TO THE FOLLOWING:

1. MAINTAIN THIS DOCUMENT IN CONFIDENCE
2. NOT TO REPRODUCE OR COPY IT
3. NOT TO REVEAL OR PUBLISH IT IN WHOLE OR IN PART

COPYRIGHT © 2019