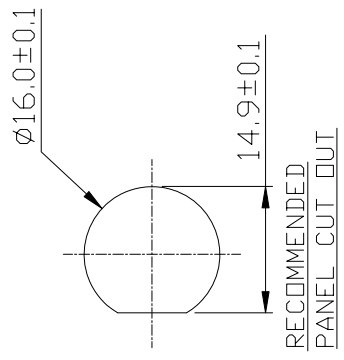
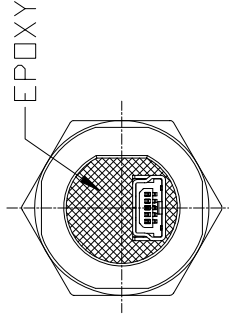
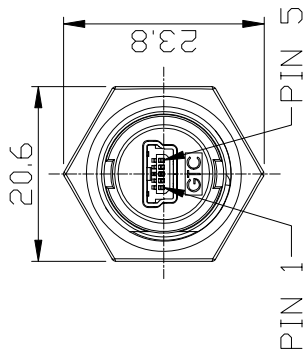
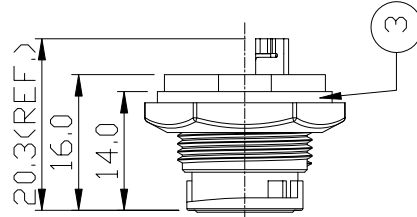


NOTES: (UNLESS OTHERWISE SPECIFIED)

- 1. Waterproof Rate : IP67.
- 2. Panel Thickness : 0.8 to 3.0 mm.
- 3. HEX NUT TORQUE: 1.5~2kgf-cm TIGHTENING TORQUE.
- 4. Matching Mates :GT114220-XX-XX
- 5. Matching CAP P/N :GT11C522122

GTC
R&D DEPT. ISSUE
APR.20.2009
ONLY FOR
RELEASE



MINI USB TYPE B	
Pin Name	Function
1	VBUS +5VDC
2	D- Data-
3	D+ Data+
4	ID N/C
5	GDN Ground

ITEM	P/N	MATERIAL
1	93114-20040	HOUSING: THERMAL PLASTIC COLOR:BLACK CONTACTS: COPPER ALLOY FINISH: GOLD
2	66214-00010	THERMAL PLASTIC COLOR: BLACK
3	67214-00110	RUBBER COLOR: BLACK

METRIC

www.USBFireWire.com

DRAFTER	DATE
KAREN	04/20/09
APPROVED	DATE
RAY	04/20/09

NOTICE OF PROPRIETARY PROPERTY:
 THE INFORMATION CONTAINED HEREIN IS THE PROPRIETARY PROPERTY OF GTC. CONTACT GTC TO THE POSSESSOR AGREES TO THE FOLLOWING:
 (a) TO MAINTAIN THIS DOCUMENT IN CONFIDENCE
 (b) NOT TO REPRODUCE OR COPY IT
 (c) NOT TO DISSEMINATE OR PUBLISH IT IN WHOLE OR PART
 (d) ALL RIGHTS RESERVED

DIMENSIONS ARE IN MILLIMETER
 TOLERANCES
 XX ±0.5
 XXX ±0.20
 XXXX ±0.05
 ANGLES ±2°
 DO NOT SCALE DRAWINGS



THIRD ANGLE PROJECTION

SCALE

1:1

SHT

1

OF

1

DRAWING NUMBER
RR-114200-50

REV.

01

TITLE
 PLASTIC MINI USB-B PANEL MOUNT
 CONNECTOR, RECEPTACLE TO
 MINI USB-B RECEPTACLE COUPLER