

Notes: (Unless Otherwise Specified)

- 1. Waterproof Rate: IP68.
- 2. Recommend Panel Thickness: 0.8 to 6.0 mm.
- 3. Recommend Torque: 14~15 Kgf-cm.
- 4. Mating Cap P/N: GT1C5331X2.
- 5. RoHS & REACH Compliant.
- 6. 產品採用無Logo PE袋單PCS包裝, 並將標籤貼於袋外.

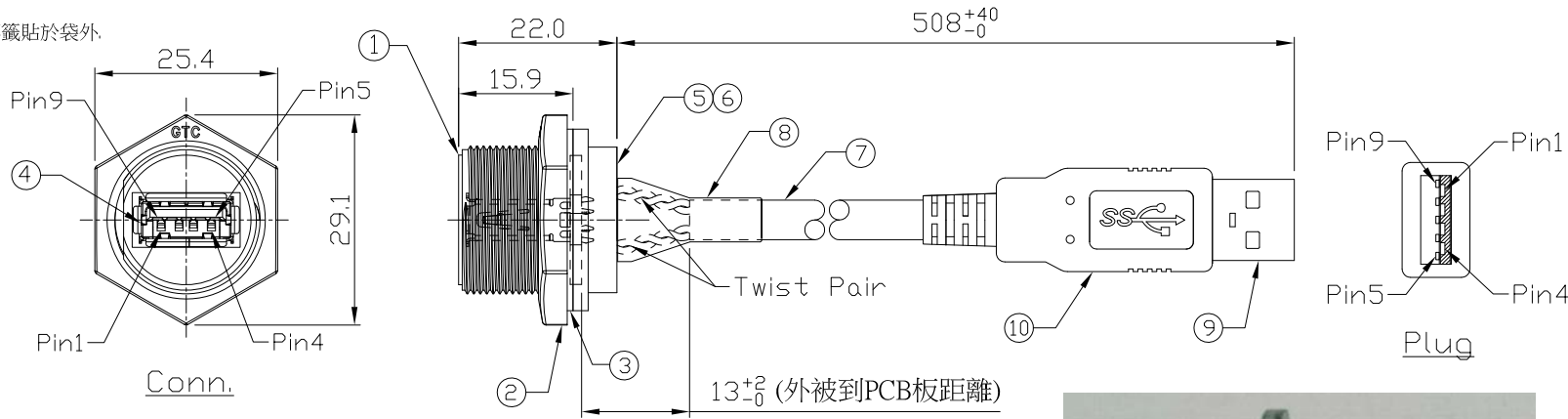
RR-118300-02-20-A_REV:XX_QTY:1PCS
LOT: XXXX
Made in China

- 7. 每25PCS產品再用防水袋包裝, 並將標籤貼於袋外.

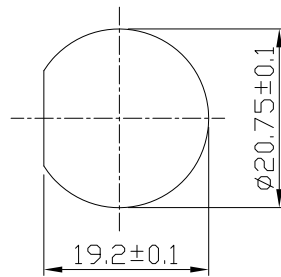
RR-118300-02-XX_REV:XX_QTY:25PCS
LOT: XXXX
Made in China

- 8. 標籤上的REV: 請依照成品圖面版本.
- 9. 不可使用夾鍊袋.

GTC
 DOC.CENTER.ISSUE
 SEP.12.2017
 ONLY FOR
 RELEASE



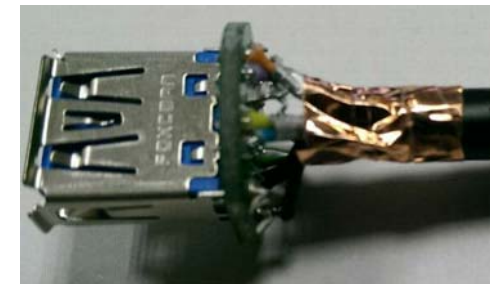
10	Over Mold	PVC Color: Black	1
9	USB-A 3.0 Plug	Housing: Thermoplastic, Color: Blue Contacts: Copper Alloy, Finish: Au Plated Shell: SPCC, Finish: Ni Plated	1
8	Shrink Tube	L=25mm, Heat Shrink Tube With Adhesive Lined Color: Black	1
7	Cable	UL2725 (1P*28AWG+EAM)*2+(1PR*28AWG+A)+2C*22AWG+AB 85% Color: Black, OD=5.5m	1
6	Glue	Epoxy Color: Black	1
5	PCB	FR-4 Color: —	1
4	USB-A 3.0 Receptacle	Housing: Thermoplastic, Color: Blue Contacts: Copper Alloy, Finish: Au Plated Shell: Copper Alloy, Finish: Ni Plated	1
3	Gasket	Silicone Color: Black	1
2	Hex Nut	Thermoplastic Color: Black	1
1	Housing	Thermoplastic Color: Black	1
Item	Part Name	Material / Finish	Q'ty



Recommend
 Panel Cut-Out

1	Red	1
2	White	2
3	Green	3
4	Black	4
5	Blue	5
6	Yellow	6
7	Drain	7
8	Purple	8
9	Orange	9
Shell	Braid	Shell

Conn. Plug
 Wiring Diagram



USB3.0兩對線鋁箔跟PCB板距離2~3mm
 編織需跟雙面導電銅箔導通跟PCB板距離4~5mm

TITTLE USB-A 3.0 Plastic C3 Panel Jack Screw With Cable + USB-A 3.0 Plug (Straight)						DRAWING NUMBER RR-118300-02-XX			REV. 01	
DD NOT SCALE DRAWINGS	B	1:1	Viola 09/12/17	Lucas 09/12/17	Ray 09/12/17	X.X ± 0.5 X.XX ± 0.2	X.XXX ± 0.05 ANGLES ± 1°	mm	1/1	
THIRD ANGLE PROJECTION	SIZE	SCALE	DRAW / DATE	CHECK / DATE	APPROVE / DATE	TOLERANCES		UNIT	SHEET	


USB FIREWIRE.com

THE INFORMATION CONTAINED HEREIN IS THE PROPRIETARY INFORMATION OF RR BUSINESS VENTURES, LLC. THE POSSESSOR AGREES TO THE FOLLOWING:
 1. MAINTAIN THIS DOCUMENT IN CONFIDENCE
 2. NOT TO REPRODUCE OR COPY IT
 3. NOT TO REVEAL OR PUBLISH IT IN WHOLE OR IN PART

COPYRIGHT © 2019