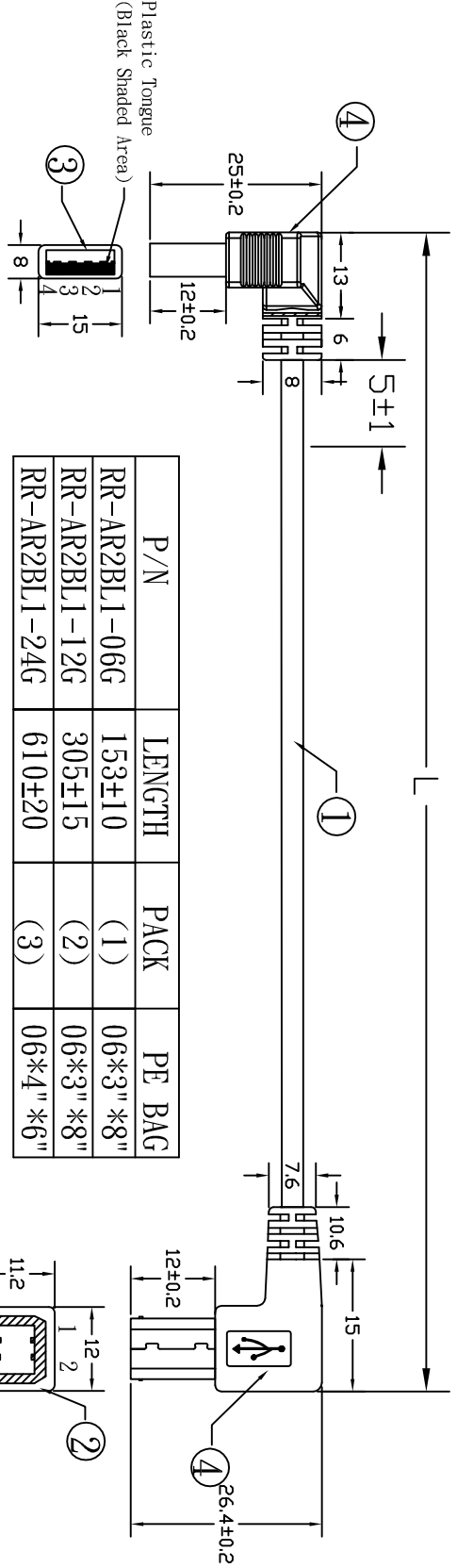
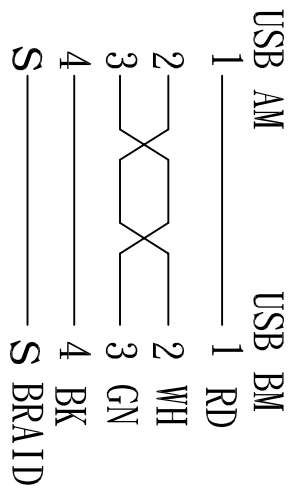


CHANGE VERSION	REMARKS	C	13/01/12	REMOVE STICKER, CHANGE CABLE
A	09/03/30 REL	D	14/08/02	CHANGE PACKAGE
B	11/10/07 CHANGE CABLE	E		



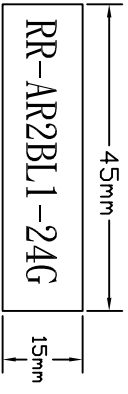
PIN OUT :



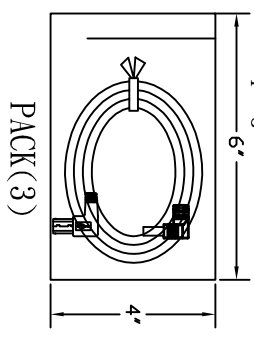
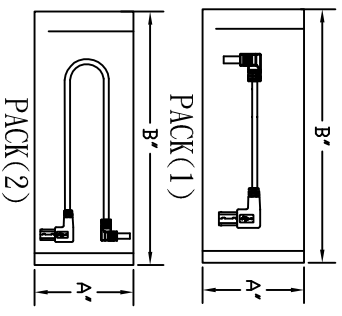
MATERIAL LIST :

NO.	P/NAME	DESCRIPTION	Q' TY
1	WIRE	UL2725 28AWG(7/0.12 TC)*1P+24AWG(7/0.20 TC)*2C+AL+1(TC)+B(16*4/0.10 TC) OD:5.0±0.15 BLACK (B792) 2.0 (COPARTNER)	1
2	PLUG	USB"B" TYPE MALE GOLD PLATED SHORT TYPE	1
3	PLUG	USB"A" TYPE MALE GOLD PLATED SHORT TYPE	1
4	PVC	45P BLACK (B792)PVC	12g
5	PACKAGE	IPCE/PE BAG:06*A"*B"+ P/N STICKER	1

P/N	LENGTH	PACK	PE BAG
RR-AR2BL1-06G	153±10	(1)	06*3"*8"
RR-AR2BL1-12G	305±15	(2)	06*3"*8"
RR-AR2BL1-24G	610±20	(3)	06*4"*6"



P/N STICKER



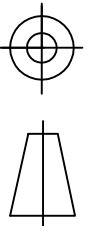
MOLD TOOL NO.	Q' TY
AM A110-459-001	1
"B" TYPE A110-393-001	12g

FILE NAME	CUSTOMER	SCALE	UNIT	REV
OW0903080			MM	D
DATE	CUSTOMER P/N			
14/08/02				

DRAWN BY	CHECKED BY	APPROVED BY
	Marcos	

ROHS

THE INFORMATION CONTAINED HEREIN IS THE PROPRIETARY INFORMATION OF RR BUSINESS VENTURES, LLC. THE POSSESSOR AGREES TO MAINTAIN THIS DOCUMENT IN CONFIDENCE; NOT REPRODUCE, COPY, OR DISSEMINATE TO REPEAT OR PUBLISH IT IN WHOLE OR PART. COPYRIGHT © 2019



USB FIREWIRE .COM