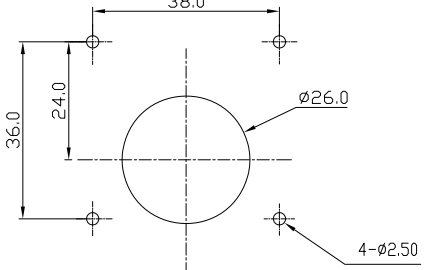
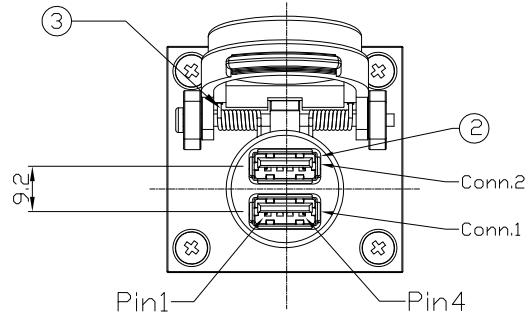
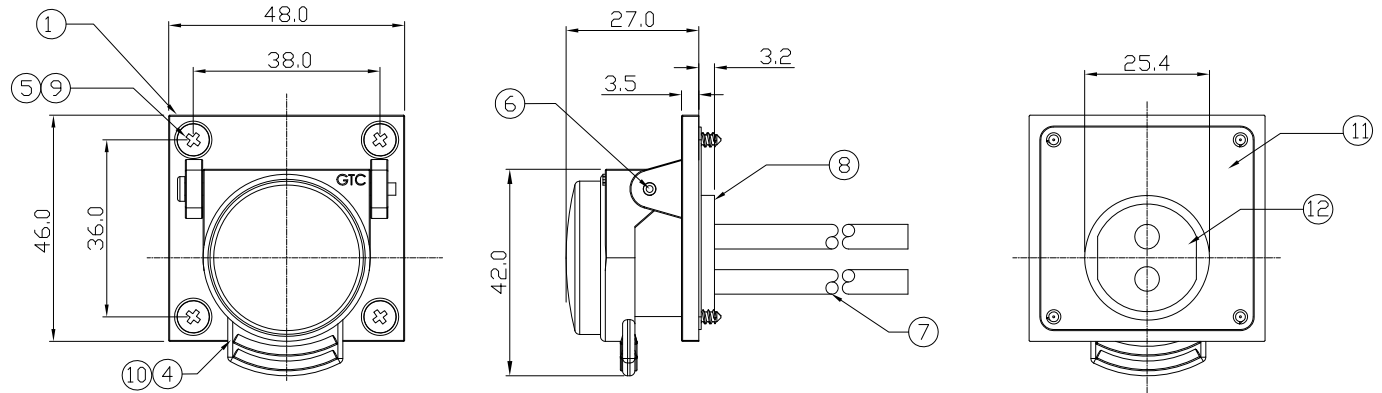


Notes: (Unless Otherwise Specified)

1. Waterproof Rate: IP65.
2. Recommend Panel Thickness: 0.8 to 3.0 mm.
3. RoHS Compliant.

R&D DEPT. ISSUE  
FEB.26.2014  
ONLY FOR  
RELEASE

REV	ECN#	DESCRIPTION OF REVISION	DRAW BY DATE	CHECK BY DATE	APPROVE BY DATE
02	CH-140207	Modify Cable	Poter 02/26/14	Ray 02/26/14	Ray 02/26/14



Recommend  
Panel Cut-Out  
Scale 1:1




Wiring Diagram

Cable Length	Tol.
2000 mm	±100
1000 mm	±50
900 mm	±20
800 mm	±20
700 mm	±20
600 mm	±20
500 mm	±20
400 mm	±10
300 mm	±10
200 mm	±10
100 mm	±10

Part No. Cable Length Tol.

Item	Part Name	Material / Finish	Q'ty
12	Glue	Epoxy Color: Black	
11	Gasket	Silicone Color: Black	1
10	Cap Rubber Pad	Silicone Color: Black	1
9	Screw Gasket	EPDM Color: Black	4
8	PCB	FR-4 Color: Green	1
7	Cable	UL2725 1P*28AVG+2C*20AWG+Al/My+D+B Color: Black, DD=5.0mm	2
6	Rivet	Aluminum Finish:-	1
5	Screw	Stainless(JIS-ST2.9) Finish:-	4
4	Cap	Thermoplastic Color: Black	1
3	Spring	Stainless Finish:-	1
2	USB-A Receptacle	Housing: Thermoplastic, Color: Black Contacts: Copper Alloy, Finish: Au Plated Shell: Copper Alloy, Finish: Ni Plated	2
1	Housing	Thermoplastic Color: Black	1

TITLE						DRAWING NUMBER			REV.	
USB-A C4 Panel Square Flange Dual-USB JACK With Cable + Cap						RR- 111443- 04- XX			02	
THIRD ANGLE PROJECTION	SIZE	SCALE	DRAW / DATE	CHECK / DATE	APPROVE / DATE	TOLERANCES	UNIT	SHEET		
	B	1:1	Poter 01/20/14	Ray 01/20/14	Ray 01/20/14	X.X ± 0.5 X.XX ± 0.2	mm	1/1		

  
**USB FIREWIRE.com**

THE INFORMATION CONTAINED HEREIN IS THE PROPRIETARY INFORMATION OF RR BUSINESS VENTURES, LLC. THE POSSESSOR AGREES TO THE FOLLOWING  
1. MAINTAIN THIS DOCUMENT IN CONFIDENCE  
2. NOT TO REPRODUCE OR COPY IT  
3. NOT TO REVEAL OR PUBLISH IT IN WHOLE OR IN PART  
COPYRIGHT © 2019