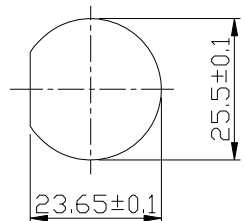
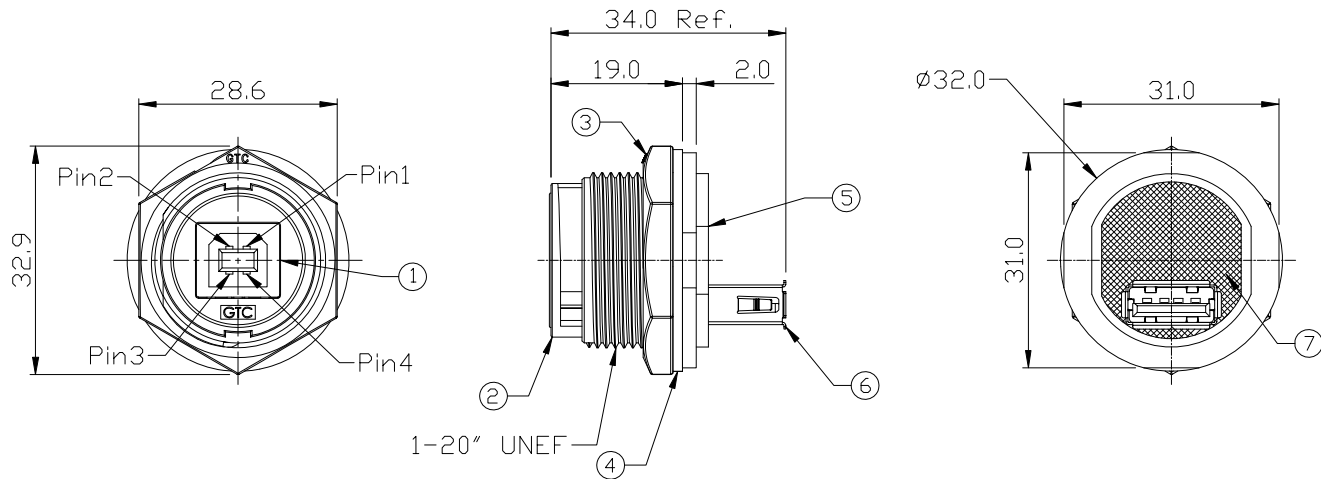


Notes: (Unless Otherwise Specified)

1. Waterproof Rate: IP67.
2. Recommend Panel Thickness: 0.8 to 6.0 mm.
3. Recommend Torque: 19~20 Kgf-cm.

REV	ECN#	DESCRIPTION OF REVISION	DRAW BY DATE	CHECK BY DATE	APPROVE BY DATE
A0		Mass Production	Joyce 11/20/12	Lucas 11/20/12	Ray 11/20/12



Recommend  
Panel Cut-Out

**DOC.CENTER.ISSUE**  
**NOV.23.2012**  
**ONLY FOR**  
**RELEASE**

Item	Part Name	Material / Finish	QTY
7	Glue	Epoxy Color: Black	
6	USB-A Receptacle	Housing: Thermoplastic, Color: Black Contacts: Copper Alloy, Finish: Au Plated Shell: Copper Alloy, Finish: Ni Plated	1
5	PCB	FR-4 Color: Green	1
4	Gasket	Silicone Color: Black	1
3	Hex Nut	Thermoplastic Color: Black	1
2	Housing	Thermoplastic Color: Black	1
1	USB-B Receptacle	Housing: Thermoplastic, Color: Black Contacts: Copper Alloy, Finish: Au Plated Shell: Copper Alloy, Finish: Ni Plated	1

TITLE USB-B Plastic C4 Panel Jack Lock With USB-A Coupler						DRAWING NUMBER RR-112200-30			REV. A0	
	B	1:1	Joyce 12/01/11	Lucas 12/01/11	Ray 12/01/11	X.X ± 0.5 X.XX ± 0.2	X.XXX ± 0.05 ANGLES ± 1°	mm	1/1	
THIRD ANGLE PROJECTION	SIZE	SCALE	DRAW / DATE	CHECK / DATE	APPROVE / DATE	TOLERANCES		UNIT	SHEET	

**www.USBFireWire.com**

NOTICE OF PROPRIETARY PROPERTY:  
THE INFORMATION CONTAINED HEREIN IS THE PROPRIETARY PROPERTY OF GT Contact CO.,LTD THE POSSESSOR AGREES TO THE FOLLOWING:  
 (C) TO MAINTAIN THIS DOCUMENT IN CONFIDENCE  
 (D) NOT TO REPRODUCE OR COPY IT  
 (E) NOT TO REVEAL OR PUBLISH IT IN WHOLE OR PART  
 (F) ALL RIGHTS RESERVED