

1

2

3

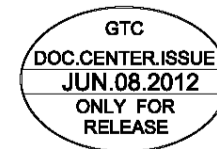
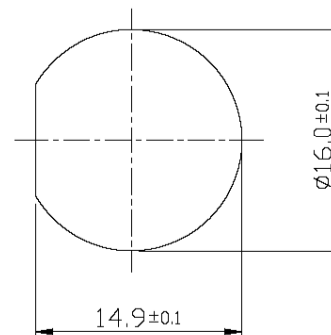
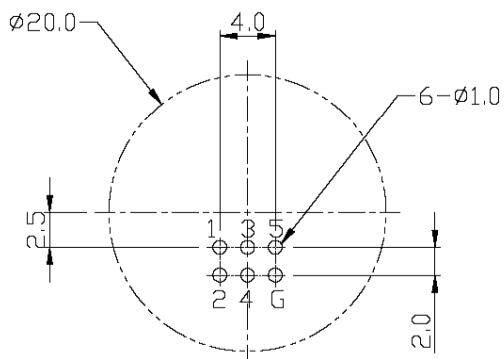
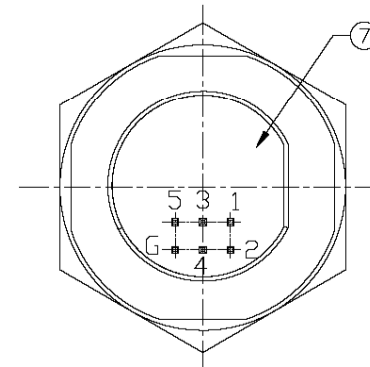
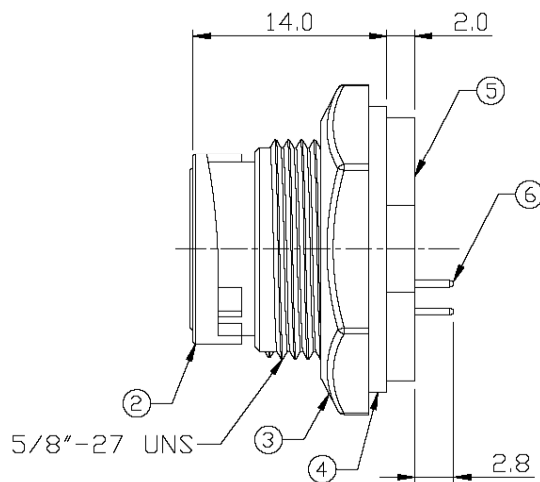
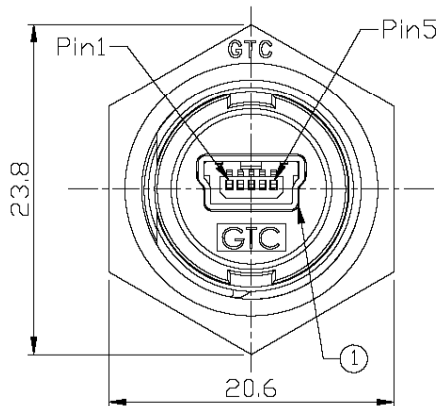
4

Notes: (Unless Otherwise Specified)

- 1. Waterproof Rate: IP67.
- 2. Recommend Panel Thickness: 0.8 to 3.0 mm.
- 3. Recommend Torque: 6~7 Kgf-cm.
- 4. Mating Cap P/N: RR-1C121022.
- 5. Temperature Range: -40°C~80°C.
- 6. RoHS Compliant.
- 7. 產品採用吸塑盒包裝;並於吸塑盒上蒸貼上標籤.



REV	ECN#	DESCRIPTION OF REVISION	DRAW BY DATE	CHECK BY DATE	APPROVE BY DATE
A0		Mass Production	Joyce 06/06/12	Lucas 06/06/12	Ray 06/06/12



Recommend PCB Layout

Recommend Panel Cut-Out

Item	Part Name	Material / Finish	Q'ty
7	Glue	Epoxy Color: Black	
6	Pin Header	Housing: Thermal Plastic, Color: Black Contacts: Copper Alloy, Finish: Au Plated	1
5	PCB	FR-4 Color: Green	1
4	Gasket	Silicone Color: Black	1
3	Hex Nut	Thermoplastic Color: Black	1
2	Housing	Thermoplastic Color: Black	1
1	Mini USB-B Receptacle	Housing: Thermal Plastic, Color: Black Contacts: Copper Alloy, Finish: Au Plated Shell: Copper Alloy, Finish: Ni Plated	1

TITLE Mini USB-B Plastic C2 Panel Jack Dip Lock				DRAWING NUMBER RR-114200-10			REV. A0	
--	--	--	--	--------------------------------	--	--	------------	--

	B	2:1	Joyce 06/06/12	Lucas 06/06/12	Ray 06/06/12	XX ± 0.5 X.XX ± 0.2	X.XXX ± 0.05 ANGLES ± 1°	mm	1/1
THIRD ANGLE PROJECTION	SIZE	SCALE	DRAW / DATE	CHECK / DATE	APPROVE / DATE	TOLERANCES		UNIT	SHEET

www.USBFireWire.com

NOTICE OF PROPRIETARY PROPERTY:  
THE INFORMATION CONTAINED HEREIN IS THE PROPRIETARY PROPERTY OF GT Contact CO., LTD THE POSSESSOR AGREES TO THE FOLLOWING:  
(a) TO MAINTAIN THIS DOCUMENT IN CONFIDENCE  
(b) NOT TO REPRODUCE OR COPY IT  
(c) NOT TO REVEAL OR PUBLISH IT IN WHOLE OR PART  
(d) ALL RIGHTS RESERVED

1

2

3

4

D

D

C

C

B

B

A

A