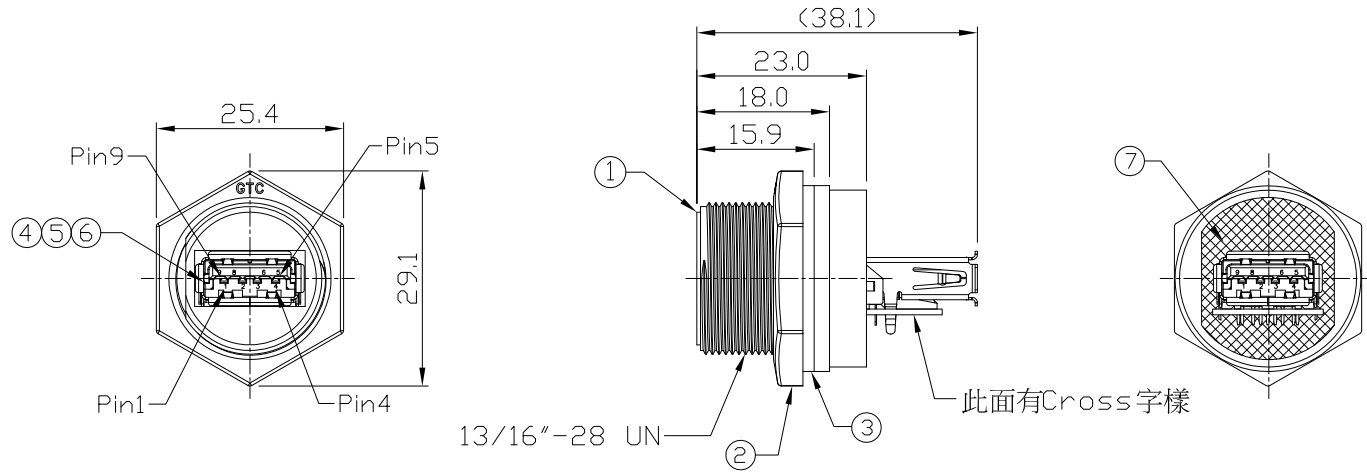


Notes: (Unless Otherwise Specified)

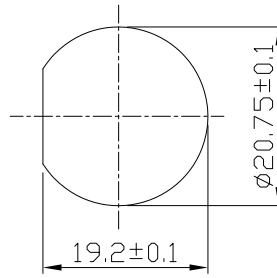
1. Waterproof Rate: IP68.
2. Recommend Panel Thickness: 0.8 to 6.0 mm.

REV	ECN#	DESCRIPTION OF REVISION	DRAW BY DATE	CHECK BY DATE	APPROVE BY DATE
01			Lucas 07/06/16	Lucas 07/06/16	Ray 07/06/16

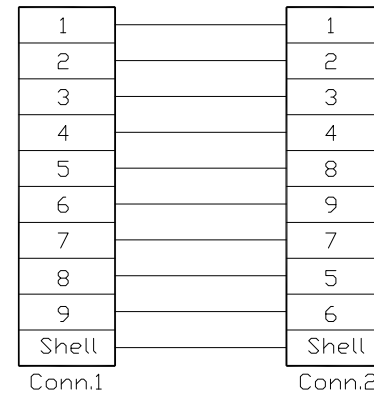


R&D DEPT. ISSUE
 JUL.12.2016
 ONLY FOR
 RELEASE

Item	Part Name	Material / Finish	Q'ty
7	Glue	Epoxy Color: Black	
6	PCB	FR-4 Color: Green	1
5	Hold	Silicone Color: Black	1
4	USB-A 3.0 Receptacle	Housing: Thermoplastic, Color: Blue Contacts: Copper Alloy, Finish: Au Plated Shell: Stainless, Finish: Non	2
3	Gasket	Silicone Color: Black	1
2	Hex Nut	Thermoplastic Color: Black	1
1	Housing	Thermoplastic Color: Black	1



Recommend
Panel Cut-Out



TITLE USB-A 3.0 Plastic C3 Panel Jack Screw with Coupler Cross wiring						DRAWING NUMBER RR-118300-35			REV. 01	
THIRD ANGLE PROJECTION		SIZE	SCALE	DRAW / DATE	CHECK / DATE	APPROVE / DATE	TOLERANCES		UNIT	SHEET
		B	1:1	Lucas 07/06/16	Lucas 07/06/16	Ray 07/06/16	X.X ± 0.5 X.XX ± 0.2	X.XXX ± 0.05 ANGLES ± 1°	mm	1/1

THE INFORMATION CONTAINED HEREIN IS THE PROPRIETARY INFORMATION OF RR BUSINESS VENTURES, LLC. THE POSSESSOR AGREES TO THE FOLLOWING

1. MAINTAIN THIS DOCUMENT IN CONFIDENCE
2. NOT TO REPRODUCE OR COPY IT
3. NOT TO REVEAL OR PUBLISH IT IN WHOLE OR IN PART

COPYRIGHT © 2019