

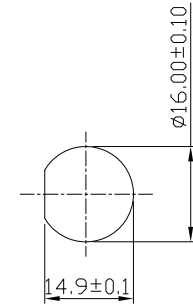
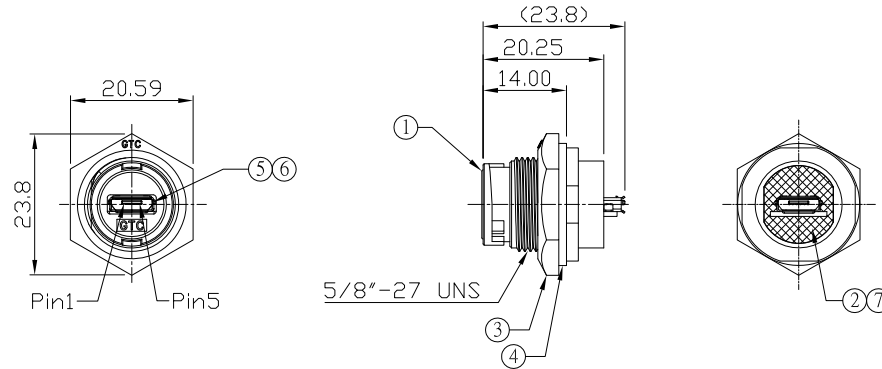
Notes: (Unless Otherwise Specified)

1. Waterproof Rate: IP67.
2. Recommend Panel Thickness : 0.8 to 3.0 mm.
3. Recommend Torque: 9~10 Kgf-cm.
4. Mating Cap P/N: GT1C1210X2.
5. RoHS Compliant.
6. 產品採用USB 10PCS吸塑盒包裝;並於吸塑盒上蓋貼上標籤.

RR-11A200-80\_REV:XX\_QTY:10PCS  
**LOT: XXXX**  
**Made in China**

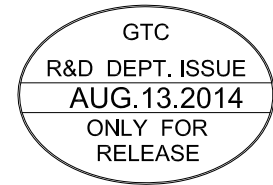
7. 標籤上的REV: 請依照成品圖面版本.

REV	ECN#	DESCRIPTION OF REVISION	DRAW BY DATE	CHECK BY DATE	APPROVE BY DATE
01			Lucas 07/24/14	Ray 07/24/14	Ray 07/24/14



Recommend  
Panel Cut-Out

7	Glue	Epoxy Color: Black	
6	Mirco USB-AB Receptacle	Housing: Thermoplastic, Color: Black Contacts: Copper Alloy, Finish: Au Plated Shell: Copper Alloy, Finish: Ni Plated	2
5	PCB	FR-4 Color: -	1
4	Gasket	Silicone Color: Black	1
3	Hex Nut	Thermoplastic Color: Black	1
2	Molding	PVC Color: Black	1
1	Housing	Thermoplastic Color: Black	1
Item	Part Name	Material / Finish	Q'ty



[www.USBFireWire.com](http://www.USBFireWire.com)

NOTICE OF PROPRIETARY PROPERTY:

THE INFORMATION CONTAINED HEREIN IS THE PROPRIETARY PROPERTY OF GT Contact CO.,LTD THE POSSESSOR AGREES TO THE FOLLOWING:  
 (i) TO MAINTAIN THIS DOCUMENT IN CONFIDENCE  
 (ii) NOT TO REPRODUCE OR COPY IT  
 (iii) NOT TO REVEAL OR PUBLISH IT IN WHOLE OR PART  
 (iv) ALL RIGHTS RESERVED

TITLE					DRAWING NUMBER			REV.	
Mirco USB-AB Plastic C2 Panel Jack Lock With Mirco USB-AB Coupler					RR-11A200-80			01	
THIRD ANGLE PROJECTION	SIZE	SCALE	DRAW / DATE	CHECK / DATE	APPROVE / DATE	TOLERANCES	UNIT	SHEET	
	B	1:1	Lucas 07/24/14	Ray 07/24/14	Ray 07/24/14	XX ± 0.5 X.XX ± 0.2	mm	1/1	
						X.XXX ± 0.05 ANGLES ± 1°			