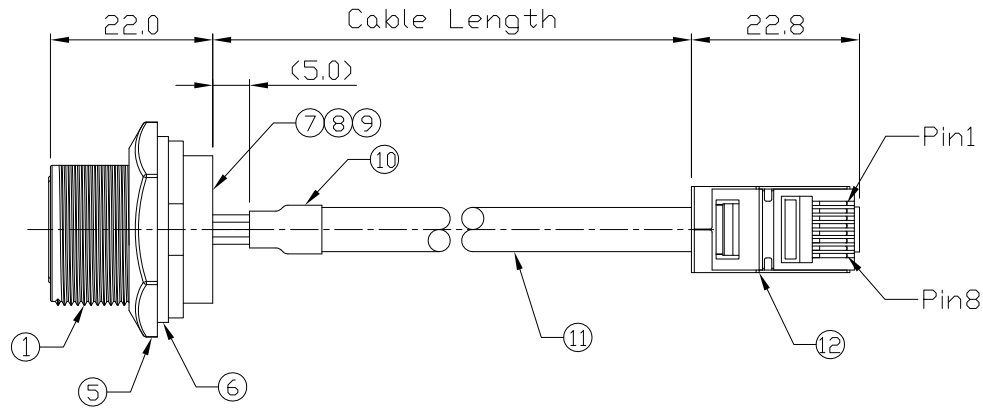
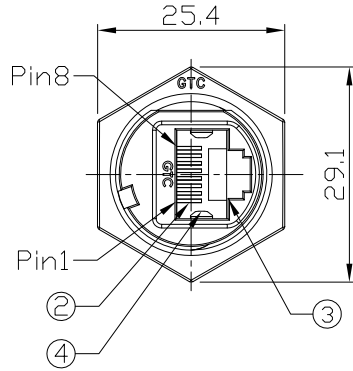


Notes: (Unless Otherwise Specified)

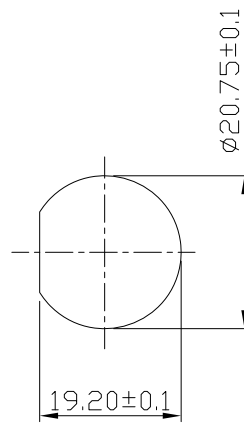
1. Waterproof Rate: IP67.
2. Recommend Panel Thickness: 0.8 to 4.0 mm.
3. Recommend Torque: 14~15 Kgf-cm.
4. Mating Cap P/N: GT1C5331X2.
5. RoHS Compliant.

REV	ECN#	DESCRIPTION OF REVISION	DRAW BY DATE	CHECK BY DATE	APPROVE BY DATE
A2	ECN-140805	Modify Item 10, Shrink Tube L=15mm to 20mm $\Delta 2$	Joyce 08/07/14	Lucas 08/07/14	Ray 08/07/14

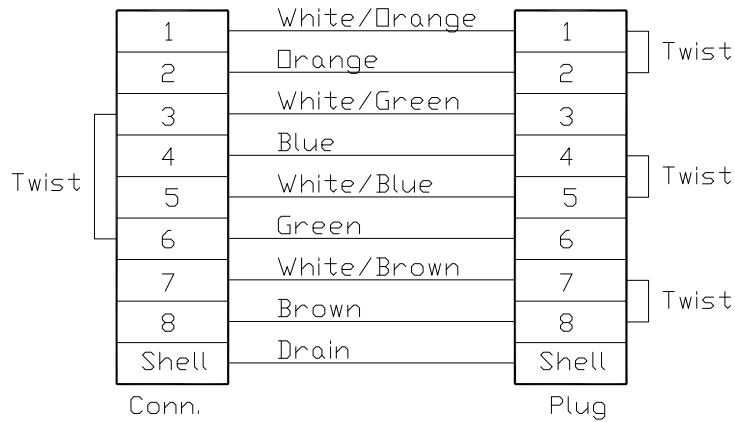
GTC
DOC.CENTER.ISSUE
AUG.19.2014
ONLY FOR
RELEASE



12	RJ45 Plug	Housing: Thermoplastic, Color: Clean Contacts: Copper Alloy, Finish: Au Plated Shell: Cold Roll Steel, Finish: Ni Plated	1
11	Cable	CAT5E 24AWG*4P+Al/My+D Color: Gray, $\text{OD}=6.0\text{mm}$	1
10	Shrink Tube	L=20mm Color: Black	1 $\Delta 2$
9	Glue	Epoxy Color: Black	
8	Pin Header	Housing: Thermoplastic; Color: Black Contacts: Copper Alloy; Finish: Au Plated	1
7	PCB	FR-4 Color: _____	2
6	Gasket	Silicone Color: Black	1
5	Hex Nut	Thermoplastic Color: Black	1
4	EMI Shielded Plate	Copper Alloy Finish: Ni Plated	2
3	Holder	Thermoplastic Color: Black	1
2	RJ45 Receptacle	Housing: Thermoplastic; Color: Gray Contacts: Copper Alloy; Finish: Au Plated	1
1	Housing	Thermoplastic Color: Black	1
Item	Part Name	Material / Finish	Qty



Recommended
Panel Cut-Out



Wiring Diagram

GT125300-03-01	1000 mm	± 50
GT125300-03-Z9	900 mm	± 40
GT125300-03-Z8	800 mm	± 40
GT125300-03-Z7	700 mm	± 40
GT125300-03-Z6	600 mm	± 40
GT125300-03-Z5	500 mm	± 40
GT125300-03-Z4	400 mm	± 20
GT125300-03-Z3	300 mm	± 20
GT125300-03-Z2	200 mm	± 10
GT125300-03-Z1	100 mm	± 10
Part No.	Cable Length	Tol.

TITLE						DRAWING NUMBER			REV.	
RJ45 Plastic C3 Shielded Panel Jack Screw With Cable + RJ Plug						RR-125300-03-XX			A2	
	B	1:1	David 06/01/10	Ray 06/01/10	Ray 06/01/10	X.X ± 0.5 X.XX ± 0.2	X.XXX ± 0.05 ANGLES $\pm 1^\circ$	mm	1/1	
THIRD ANGLE PROJECTION	SIZE	SCALE	DRAW / DATE	CHECK / DATE	APPROVE / DATE	TOLERANCES		UNIT	SHEET	

USB FIREWIRE.com

THE INFORMATION CONTAINED HEREIN IS THE PROPRIETARY INFORMATION OF RR BUSINESS VENTURES, LLC. THE POSSESSOR AGREES TO THE FOLLOWING

1. MAINTAIN THIS DOCUMENT IN CONFIDENCE
2. NOT TO REPRODUCE OR COPY IT
3. NOT TO REVEAL OR PUBLISH IT IN WHOLE OR IN PART

COPYRIGHT © 2019