

4

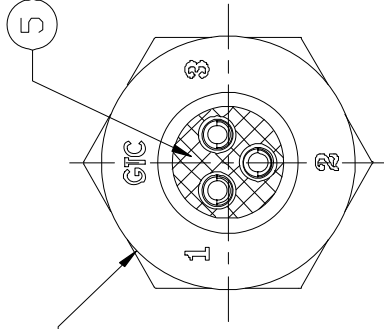
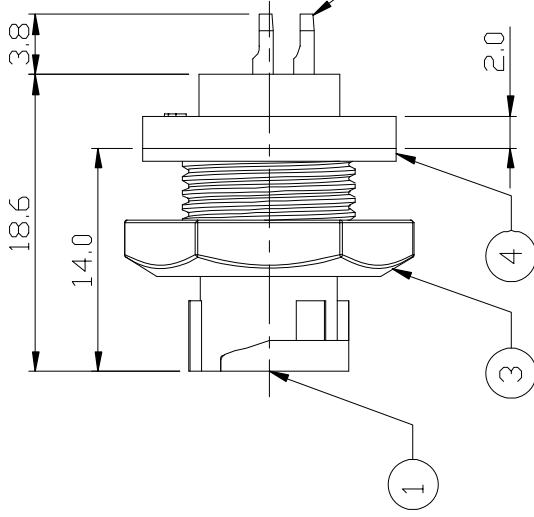
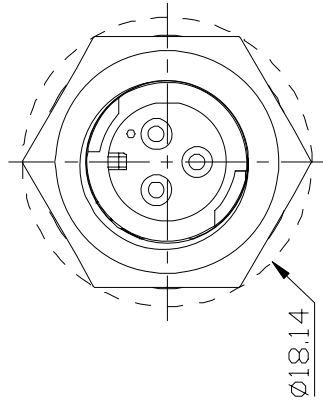
3

2

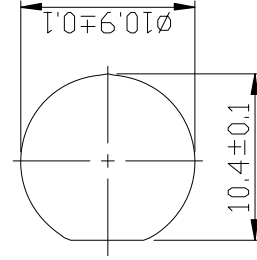
1

Notes: (Unless Otherwise Specified)

- 1. Waterproof Rate : IPX7.
- 2. Panel Thickness : 0.8 to 4.0 mm.
- 3. Hex Nut Torque: 6.0~7.0 Kgf-cm Tightening Torque.
- 4. Matching Cap P/N :G11C512122.
- 5. RoHS Compliance.



GTC
DOC.CENTER.ISSUE
SEP.07.2010
ONLY FOR
RELEASE



Recommended
Panel Cut-Out

Item	Part Name	Material/Finish	QTY
1	Housing	Thermal Plastic Color: Black	1
2	Contacts	Copper Alloy Finish: Au Plated	3
3	Hex Nut	Thermal Plastic Color: Black	1
4	Gasket	Silicone Color: Black	1
5	Glue	Epoxy Color: Black	

DESCRIPTION OF REVISION

ECN#

REV

090610

A0

D

C

B

A

METRIC

www.USBFireWire.com

DRAFTER: LUCAS
 DATE: 09/06/10
 APPROVED: Roy
 DATE: 09/06/10

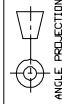
NOTICE OF PROPRIETARY PROPERTY:

THE INFORMATION CONTAINED HEREIN IS THE PROPRIETARY PROPERTY OF USB FIREWIRE.COM. THE POSSESSOR AGREES TO THE FOLLOWING:
 (1) TO MAINTAIN THIS DOCUMENT IN CONFIDENCE
 (2) NOT TO REPRODUCE OR COPY IT
 (3) NOT TO REVEAL OR PUBLISH IT IN WHOLE OR PART
 (4) ALL RIGHTS RESERVED

DIMENSIONS ARE IN MILLIMETER TOLERANCES

XX ±0.5
 XXX ±0.20
 XXXX ±0.05
 ANGLES ±0.5 °

DO NOT SCALE DRAWINGS



THIRD ANGLE PROJECTION

UNIT: MILLIMETER
 SIZE: B

SCALE: 1:1

SHT 1 of 1

TITLE: C1 Panel Mount, 5A Male 3P, Solder, Lock
 DRAWING NUMBER: RR-151210-02030
 REV: A0

2

3

4

D

C

B

A