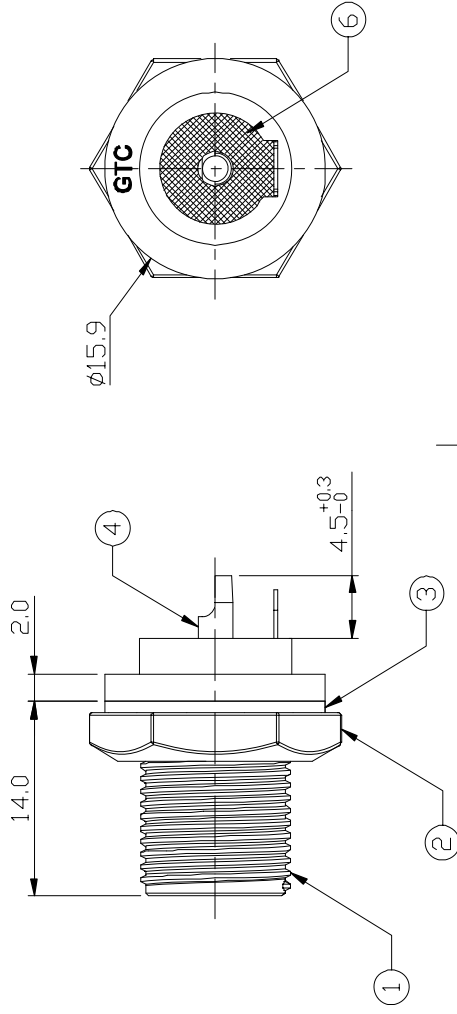
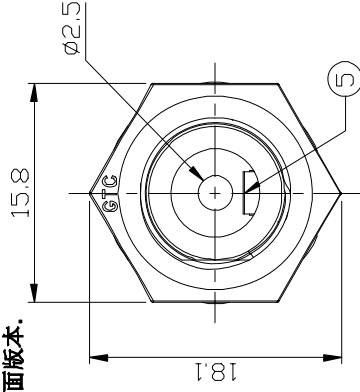


Notes: (Unless Otherwise Specified)

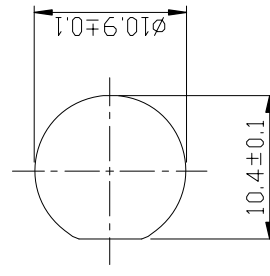
1. Waterproof Rate: IP67.
2. Recommend Panel Thickness: 0.8 to 6.0 mm.
3. Recommend Torque: 6~7 Kgf-cm.
4. Mating Cap P/N: GT1C5131X2.
5. RoHS Compliant.
6. 產品採用USB 10PCS吸塑盒包裝,並於吸塑盒上蓋貼上標籤。

RR-1B0102\_REV:XX\_QTY:10PCS  
**LOT: XXXX**  
**Made in China**

7. 標籤上的REV: 請依照成品圖面版本。



Item	Part Name	Material / Finish	Qty
6	Glue	Epoxy Color: Black	
5	Terminal	Copper Alloy Finish: Ni Plated	1
4	Contact	Copper Alloy Finish: Ni Plated	1
3	Gasket	Silicone Color: Black	1
2	Hex Nut	Thermoplastic Color: Black	1
1	Housing	Thermoplastic Color: Black	1



GTC  
 DOC.CENTER/ISSUE  
 OCT.15.2015  
 ONLY FOR  
 RELEASE

Recommend  
 Panel Cut-Out

www.USBFireWire.com

NOTICE OF PROPRIETARY PROPERTY:  
 THE INFORMATION CONTAINED HEREIN IS THE PROPRIETARY  
 PROPERTY OF USBFIREWIRE.COM THE POSSESSOR AGREES  
 TO THE FOLLOWING:  
 (1) TO MAINTAIN THIS DOCUMENT IN CONFIDENCE  
 (2) NOT TO REPRODUCE OR COPY IT  
 (3) NOT TO REVEAL OR PUBLISH IT IN WHOLE OR PART  
 (4) ALL RIGHTS RESERVED

DRAWING NUMBER		REV.	
RR-1B0102		A0	
XX ± 0.5	X.XXX ± 0.05	mm	1/1
X.XX ± 0.2	ANGLES ± 1°	TOLERANCES	UNIT SHEET

TITLE  
 DC 2.5mm Panel Jack Solder Screw

DO NOT SCALE DRAWINGS  
 THIRD ANGLE PROJECTION

SIZE	SCALE	DRAW / DATE	CHECK / DATE	APPROVE / DATE
B	2:1	Joyce 10/14/15	Lucas 10/14/15	Ray 10/14/15