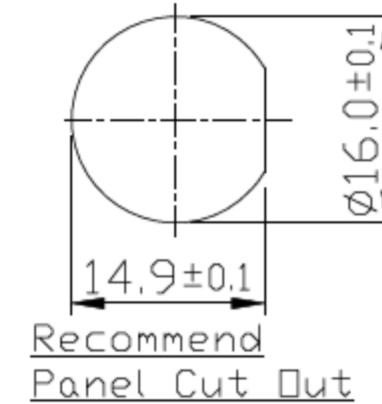
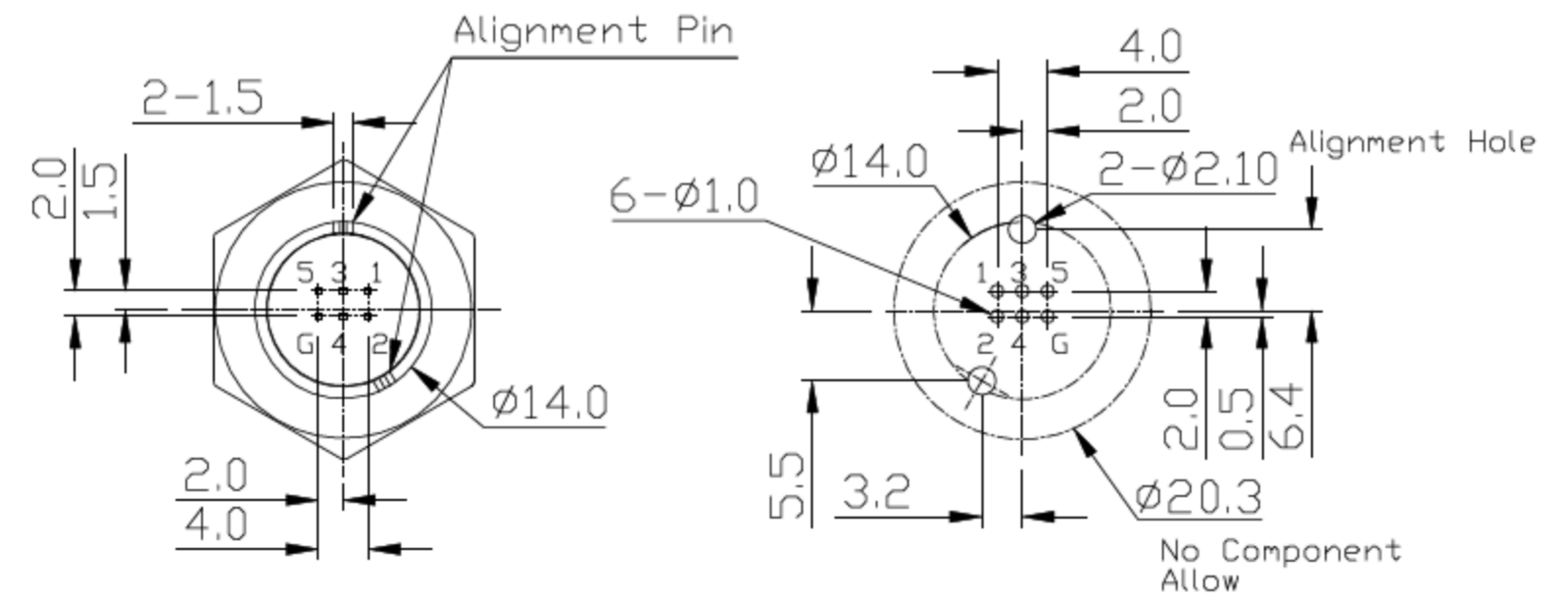
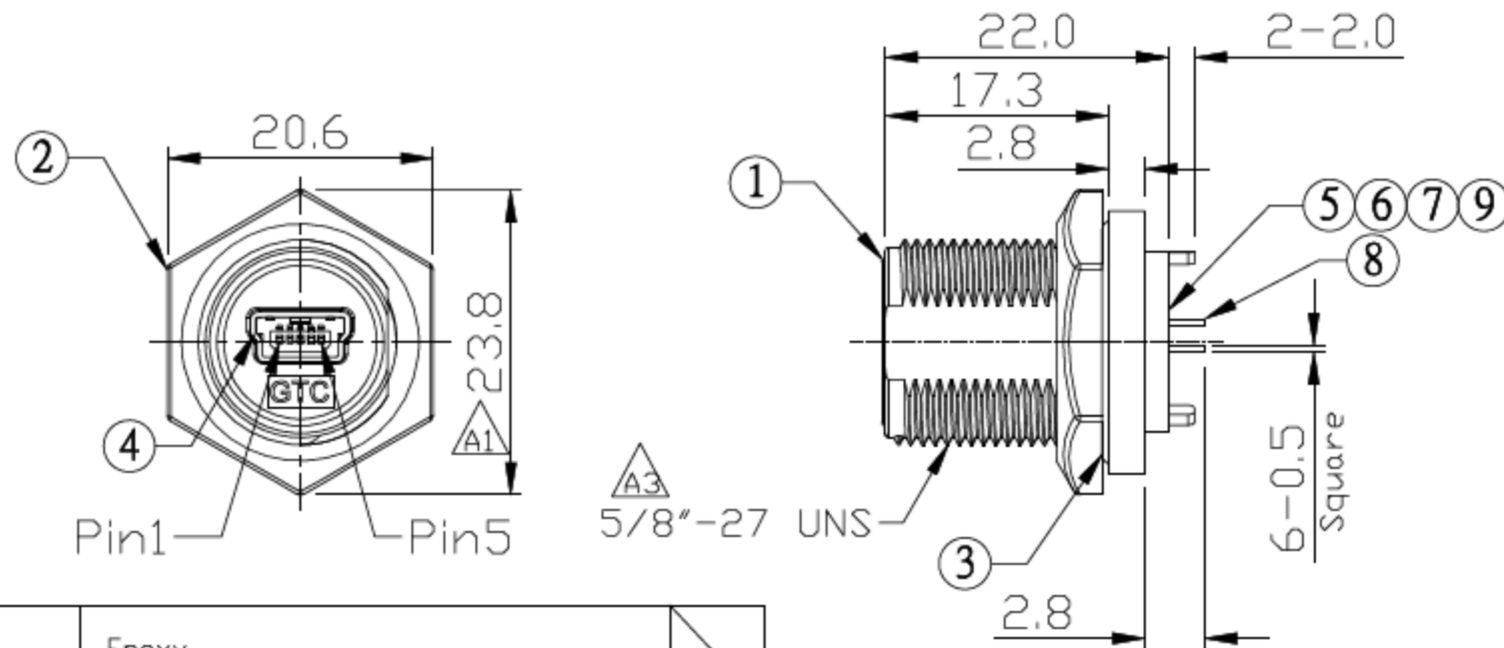


Notes: (Unless Otherwise Specified)

- 1. Waterproof Rate : IP68.
- 2. Recommend Panel Thickness : 0.8 to 8.0 mm.
- 3. Recommend Torque: 19~20 kgf-cm.
- 4. Mating Cap P/N: GT1C523122.
- 5. RoHS Compliance.

REV	ECN#	DESCRIPTION OF REVISION	DRAW BY DATE	CHECK BY DATE	APPROVE BY DATE
A0			Edwin 09/23/08	Lucas 09/23/08	Ray 09/23/08
A1		Marked $\Delta 1$	Edwin 06/10/09	Ray 06/10/09	Ray 06/10/09
A2	ECN-100509	Marked $\Delta 2$	Edwin 05/14/10	Lucas 05/14/10	Ray 05/14/10
A3	ECN-100511	Marked $\Delta 3$	Edwin 05/20/10	Lucas 05/20/10	Ray 05/20/10
A4		Redraw	Edwin 05/12/11	Lucas 05/12/11	Ray 05/12/11
A5	ECN-110907	Modify Torque , Marked $\Delta 5$	Joyce 09/16/11	Lucas 09/16/11	Ray 09/16/11



9	Glue	Epoxy Color: Black	
8	Pin Header	Housing:Thermal Plastic,Color:Black Contacts:Copper Alloy,Finish:Au Plated	1
7	EMI Shielded Plate	Copper Alloy Finish: Ni Plated	1
6	Holder	Thermal Plastic Color: Black	1
5	PCB	FR-4 Color: Green	1
4	USB-A Receptacle	Housing:Thermal Plastic,Color:Black Contacts:Copper Alloy,Finish:Au Plated Shell:Copper Alloy,Finish:Ni Plated	1
3	O-Ring	Silicone Color: Red	1
2	Hex Nut	Zn Alloy Finish: Ni Plated	1
1	Housing	Zn Alloy Finish: Ni Plated	1
Item	Part Name	Material / Finish	Q'ty

Mini USB Type B			
Pin	Name	Function	Mating Cable Color
1	VBUS	+5VDC	Red
2	D-	Data-	White
3	D+	Data+	Green
4	ID	N/C	N/C
5	GDN	Ground	Black
G	Shell	Shield	Drain-Wire

DOC.CENTER.ISSUE  
SEP.22.2011  
ONLY FOR  
RELEASE

TITLE					DRAWING NUMBER			REV.	
Mini USB-B Metal C2 Panel Jack Screw Dip					RR-214300-10			A5	
	B	1:1	Edwin 09/23/08	Ray 09/23/08	Ray 09/23/08	X.X ± 0.5 X.XX ± 0.2	X.XXX ± 0.05 ANGLES ± 1°	mm	1/1
THIRD ANGLE PROJECTION	SIZE	SCALE	DRAW / DATE	CHECK / DATE	APPROVE / DATE	TOLERANCES		UNIT	SHEET

**USB FIREWIRE.com**

THE INFORMATION CONTAINED HEREIN IS THE PROPRIETARY INFORMATION OF RR BUSINESS VENTURES, LLC. THE POSSESSOR AGREES TO THE FOLLOWING:

1. MAINTAIN THIS DOCUMENT IN CONFIDENCE
2. NOT TO REPRODUCE OR COPY IT
3. NOT TO REVEAL OR PUBLISH IT IN WHOLE OR IN PART

COPYRIGHT © 2019