

1

2

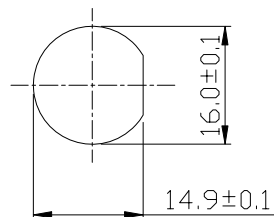
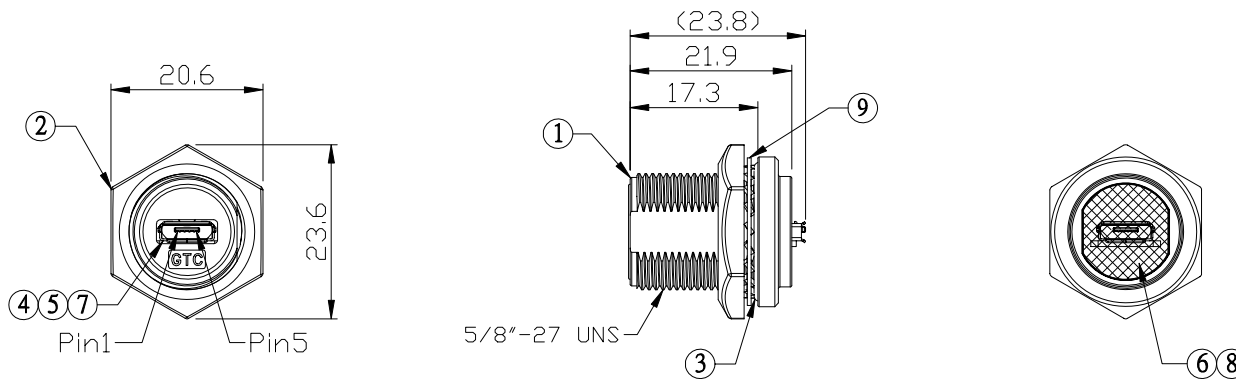
3

4

Notes: (Unless Otherwise Specified)

- 1. Waterproof Rate: IP68.
- 2. Recommend Panel Thickness: 0.8 to 8.0 mm.
- 3. Recommend Torque: 19~20 kgf-cm.
- 4. Mating Cap P/N: RR-1C523122M
- 5. RoHS Compliant.

REV	ECN#	DESCRIPTION OF REVISION	DRAW BY DATE	CHECK BY DATE	APPROVE BY DATE
01			Lucas 01/07/15	Lucas 01/07/15	Ray 01/07/15



Front View  
 Recommend  
 Panel Cut-Out

**R&D DEPT. ISSUE**  
**MAR.19.2015**  
**ONLY FOR**  
**RELEASE**

9	Metal Washer	Stainless Finish: —	1
8	Glue	Epoxy Color: Black	
7	EMI Shielded Plate	Copper Alloy Finish: Ni Plated	1
6	Molding	PVC Color: Black	1
5	PCB	FR-4 Color: —	1
4	Mirco USB-AB Receptacle	Housing: Thermoplastic, Color: Black Contacts: Copper Alloy, Finish: Au Plated Shell: Copper Alloy, Finish: Ni Plated	2
3	O-Ring	Silicone Color: Red	1
2	Hex Nut	Zn Alloy Finish: Ni Plated	1
1	Housing	Zn Alloy Finish: Ni Plated	1
Item	Part Name	Material / Finish	Qty

TITLE						DRAWING NUMBER			REV.
Mirco USB-AB Metal C2 Panel Jack Screw With Mirco USB-AB Coupler						RR-21A300-80			01
	B	1:1	Lucas 01/07/15	Lucas 01/07/15	Ray 01/07/15	X.X ± 0.5 X.XX ± 0.2	X.XXX ± 0.05 ANGLES ± 1°	mm	1/1
THIRD ANGLE PROJECTION	SIZE	SCALE	DRAW / DATE	CHECK / DATE	APPROVE / DATE	TOLERANCES		UNIT	SHEET

**USB FIRE WIRE.com**

THE INFORMATION CONTAINED HEREIN IS THE PROPRIETARY INFORMATION OF RR BUSINESS VENTURES, LLC. THE POSSESSOR AGREES TO THE FOLLOWING

1. MAINTAIN THIS DOCUMENT IN CONFIDENCE  
2. NOT TO REPRODUCE OR COPY IT  
3. NOT TO REVEAL OR PUBLISH IT IN WHOLE OR IN PART

COPYRIGHT © 2019