

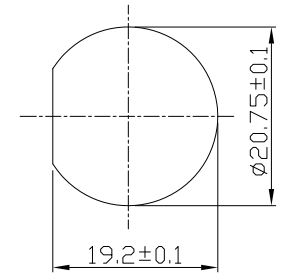
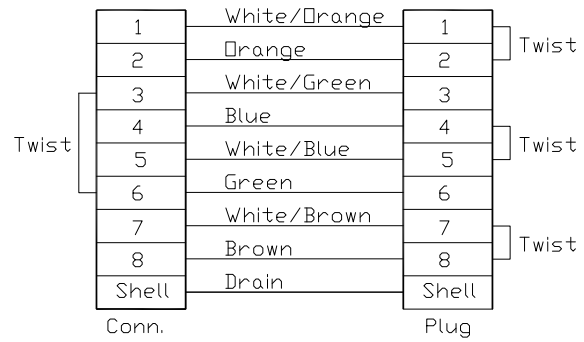
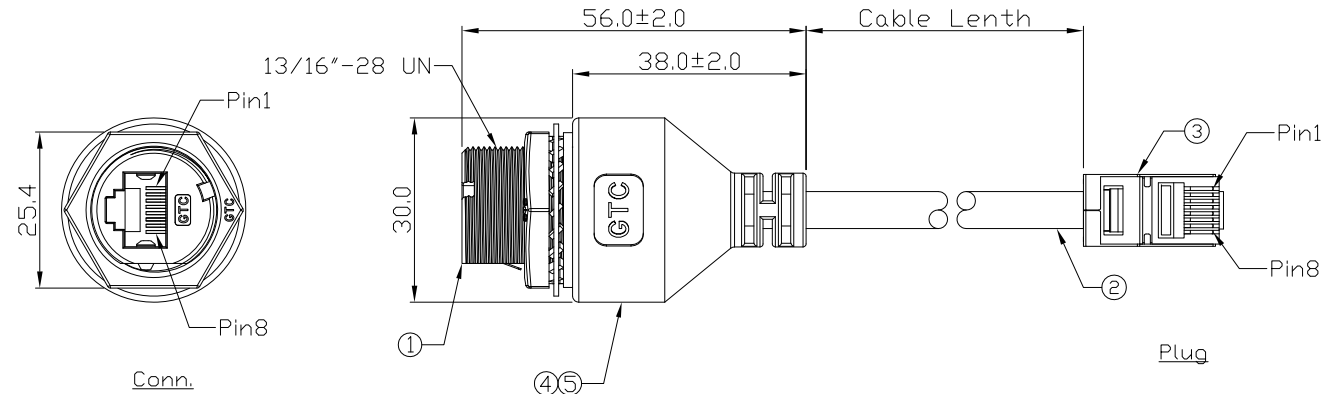
Notes: (Unless Otherwise Specified)

1. Waterproof Rate: IP68.
2. Recommend Panel Thickness: 0.8 to 4.0 mm.
3. Recommend Torque: 14~15 Kgf-cm.
4. Mating Cap P/N: GT2C215012/GT1C5331X2.
5. RoHS Compliant.
6. Pack each cable in a poly bag and 25pcs in a poly bag.

RR-225510-06-XX_REV:XX_QTY:1PCS
LOT: XXXX
Made in China

RR-225510-06-XX_REV:XX_QTY:25PCS
LOT: XXXX
Made in China

REV	ECN#	DESCRIPTION OF REVISION	DRAW BY DATE	CHECK BY DATE	APPROVE BY DATE
02	ECN-191125	RR-225510-06-02 => RR-225510-06-79 Remove RR-225510-06-05	Whitney 11/25/19	Lucas 11/25/19	Ray 11/25/19



GTC
 DOC.CENTER.ISSUE
 JAN.03.2022
 ONLY FOR
 RELEASE

5	Over Mold	PVC Color: Black	1
4	Inner Mold	Thermoplastic Color: Black or White	1
3	RJ45 Plug	Housing: Thermoplastic; Color: Clean Contacts: Copper Alloy; Finish: Au Plated Shell: Cold Roll Steel; Finish: Ni Plated	1
2	Cable	CAT5E 24AWG*4P+Al/My+D, OD=6.0mm Color: Black	1
1	RJ45 Metal C3 Cable To Cable	GT Contact GT225510-0X-XX	1
Item	Part Name	Material / Finish	QTY

RR-225510-06-79	2000 mm	+100
RR-225510-06-39	990 mm	+50
Part No.	Cable Length	Tol.

TITLE						DRAWING NUMBER			REV.
RJ45 Metal C3 Shielded Cable To Cable Jack Screw With Cable + RJ Plug						RR-225510-06-XX			02
	B	1:1	Whitney 01/16/19	Lucas 01/16/19	Ray 01/16/19	X.X ± 0.5 X.XX ± 0.2	X.XXX ± 0.05 ANGLES ± 1°	mm	1/1
THIRD ANGLE PROJECTION	SIZE	SCALE	DRAW / DATE	CHECK / DATE	APPROVE / DATE	TOLERANCES		UNIT	SHEET

USB FIREWIRE.com

THE INFORMATION CONTAINED HEREIN IS PROPRIETARY AND CONFIDENTIAL TO RR BUSINESS VENTURES, LLC. THE POSSESSOR AGREES TO THE FOLLOWING

1. MAINTAIN THIS DOCUMENT IN CONFIDENCE
2. NOT TO REPRODUCE OR COPY IT
3. NOT TO REVEAL OR PUBLISH IT IN WHOLE OR PART