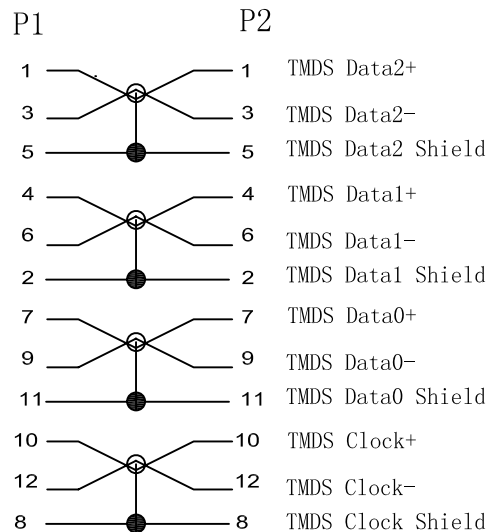
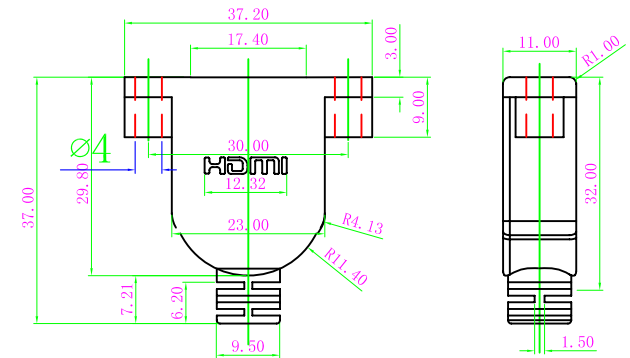
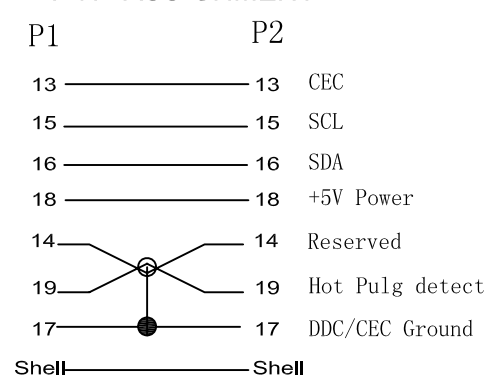


**PIN ASSIGNMENT**



**PIN ASSIGNMENT**



ROHS Compliant

5					<a href="http://www.USBFirewire.com">www.USBFirewire.com</a>						
4	Nut				Tolerance, Unless Otherwise Specified	DRAW:		TITLE	HDMI AF TO AF		
3	65P Black PVC					UP TO 5	±0.2	CHECKED:	PART NO.	RR-3FPMX2-XXG	
2	HDMI AF, BLACK INSULATION, SHELL 3U" GOLD PLATED WITH SOLDER(P/N YQT-HAF3)				ABOVE 5 --30	±0.3	APPROVED:	DRAW NO.			
1	(1P*30AWG+D+AL)*5C+4C*30AWG+AL+D+B OD7.3 L=5in/12in/24in/6ft Black				ABOVE 30--50	±0.4	DATE	SCALE	1:1	UNIT	mm
NO	Descriptron	Q' TY	Unit	ANGLE		±0.5					
						±3°					