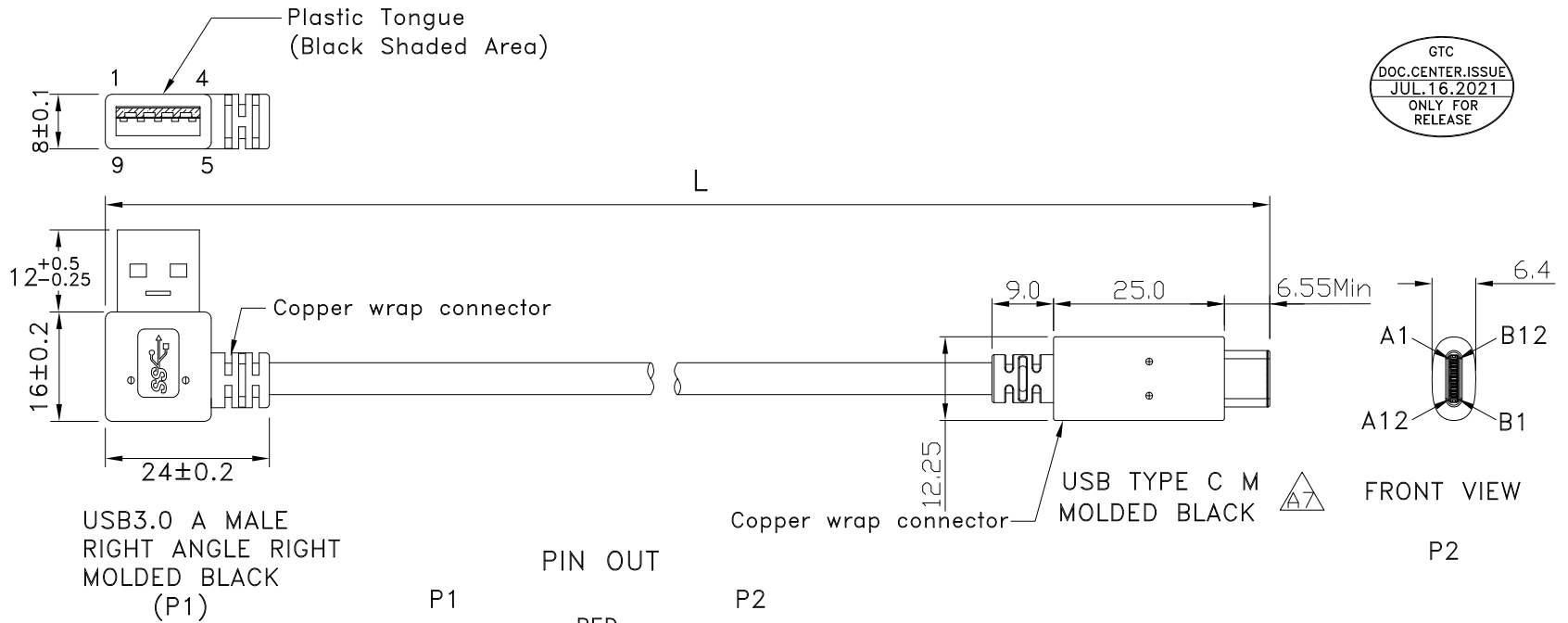


Note:

1.Type C -Pin out is the same as this drawing.

REV	ECN#	DESCRIPTION OF REVISION	DRAW BY DATE	CHECK BY DATE	APPROVE BY DATE
A7	ECN-210707	metal shell cover => Copper foil wrap	Lucas 07/16/21	Lucas 07/16/21	Ray 07/16/21

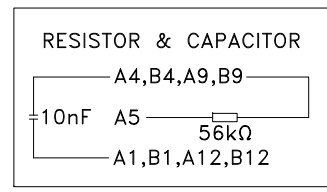
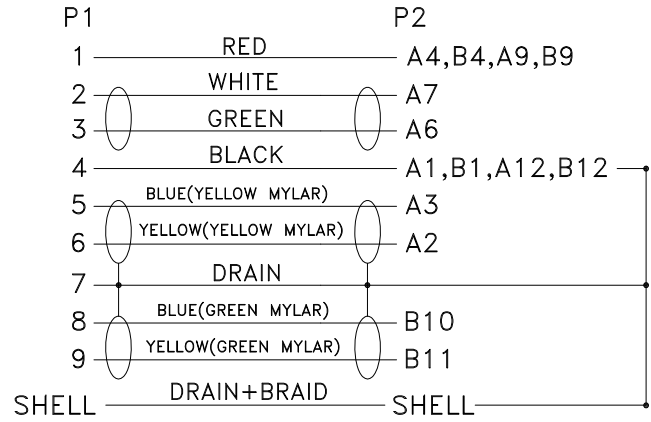


USB3.0 A MALE
RIGHT ANGLE RIGHT
MOLDED BLACK
(P1)

USB TYPE C M
MOLDED BLACK

FRONT VIEW
P2

PIN OUT



P/N	LENGTH
RR-ARCS-05GRC	127 ⁺²⁰ ₋₀
RR-ARCS-10GRC	255 ⁺²⁰ ₋₀
RR-ARCS-15GRC	381 ⁺³⁰ ₋₀
RR-ARCS-25GRC	635 ⁺³⁰ ₋₀
RR-ARCS-30GRC	762 ⁺³⁰ ₋₀
RR-ARCS-40GRC	1016 ⁺⁴⁰ ₋₀

TITLE						DRAWING NUMBER			REV.
USB3.0 AM RIGHT ANGLE RIGHT TO USB3.1 C TYPE MALE						RR-ARCS-XXGRC			A7
THIRD ANGLE PROJECTION	SIZE	SCALE	DRAW / DATE	CHECK / DATE	APPROVE / DATE	TOLERANCES	UNIT	SHEET	
	B	1:1	Lucas 11/27/15	Ray 11/27/15	Ray 11/27/15	X.X ± 0.5 X.XX ± 0.2	X.XXX ± 0.05 ANGLES ± 1°	mm 1/3	

THE INFORMATION CONTAINED HEREIN IS PROPRIETARY AND CONFIDENTIAL TO RR BUSINESS VENTURES, LLC. THE POSSESSOR AGREES TO THE FOLLOWING

1. MAINTAIN THIS DOCUMENT IN CONFIDENCE
2. NOT TO REPRODUCE OR COPY IT
3. NOT TO REVEAL OR PUBLISH IT IN WHOLE OR PART

1

2

3

4

REV	ECN#	DESCRIPTION OF REVISION	DRAW BY DATE	CHECK BY DATE	APPROVE BY DATE
A7	ECN-210707	metal shell cover => Copper foil wrap	Lucas 07/16/21	Lucas 07/16/21	Ray 07/16/21

***CONSTRUCTION:

1.CABLE: * UL2725 (1P/30#+EAM)*2+(1P/30#)+(2C/24#)+AEB(AL)65% OD:5.0mm
BLACK PVC JACKET.

***CONNECTOR:

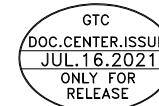
2.USB A/M: * USB A "3.0" TYPE 9PIN MALE SOLDER TYPE.
* PINS: 30u GOLD PLATED OVER NICKEL.
* INSULATOR: BLUE COLOR P.B.T UL 94V-0 RATED.
* SHELL: STEEL WITH GOLD FLASH .
* MOLDED: BLACK PVC 45P.

3.USB C/M: * USB TYPE C MALE SOLDER TYPE.
* PINS: 30u GOLD PLATED OVER NICKEL.
* INSULATOR: BLACK THERMOPLASTIC UL 94V-0.
* SHELL: STEEL WITH GOLD FLASH.
* RESISTOR(56KΩ) AND CAPACITOR.
* MOLDED: BLACK PVC 45P.


4.TEST: * CT: 2 ohm IS: 5M ohm DC300V 0.1S

5.PACKING: * PACK EACH CABLE IN A POLY BAG AND 25PCS IN A POLY BAG.

6.MATERIAL: * MATERIAL WITH RoHS GRADE.



TITLE USB3.0 AM RIGHT ANGLE RIGHT TO USB3.1 C TYPE MALE			DRAWING NUMBER RR-ARCS-XXGRC			REV. A7			
	B	1:1	Lucas 11/27/15	Ray 11/27/15	Ray 11/27/15	X.X ± 0.5 X.XX ± 0.2	X.XXX ± 0.05 ANGLES ± 1°	mm	2/3
THIRD ANGLE PROJECTION	SIZE	SCALE	DRAW / DATE	CHECK / DATE	APPROVE / DATE	TOLERANCES		UNIT	SHEET



THE INFORMATION CONTAINED HEREIN IS PROPRIETARY AND CONFIDENTIAL TO RR BUSINESS VENTURES, LLC. THE POSSESSOR AGREES TO THE FOLLOWING

1. MAINTAIN THIS DOCUMENT IN CONFIDENCE
2. NOT TO REPRODUCE OR COPY IT
3. NOT TO REVEAL OR PUBLISH IT IN WHOLE OR PART

1

2

3

4

1

2

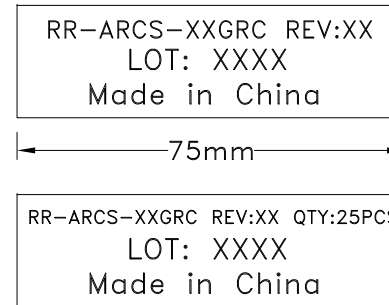
3

4

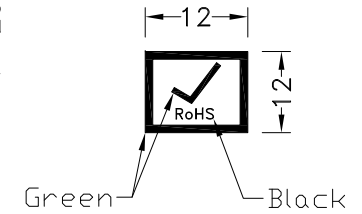
REV	ECN#	DESCRIPTION OF REVISION	DRAW BY DATE	CHECK BY DATE	APPROVE BY DATE
A7	ECN-210707	metal shell cover => Copper foil wrap	Lucas 07/16/21	Lucas 07/16/21	Ray 07/16/21

P/N	LENGTH(mm)	PE BAG(Inch)	PACKAGE
RR-ARCS-05GRC	127 ⁺²⁰ ₋₀	5.5"*10	(1)
RR-ARCS-10GRC	255 ⁺²⁰ ₋₀	5.5"*10	(2)
RR-ARCS-15GRC	381 ⁺³⁰ ₋₀	5.5"*10	(2)
RR-ARCS-25GRC	635 ⁺³⁰ ₋₀	5.5"*10	(2)
RR-ARCS-30GRC	762 ⁺³⁰ ₋₀	5.5"*10	(2)
RR-ARCS-40GRC	1016 ⁺⁴⁰ ₋₀	5.5"*10	(2)

PE BAG LABEL

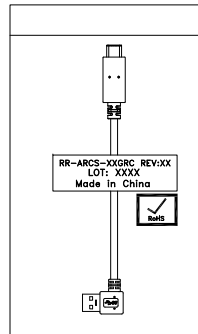


RoHS LABEL

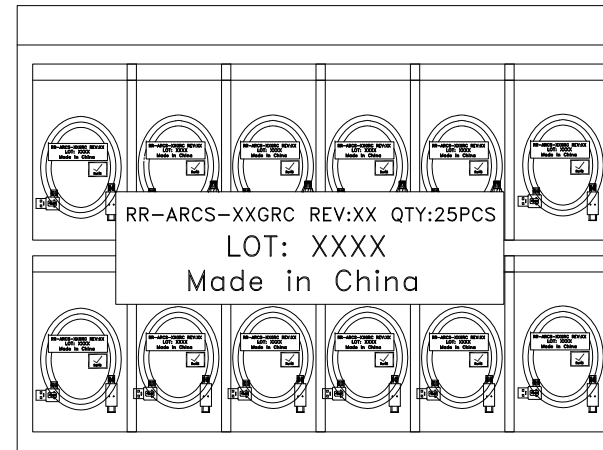
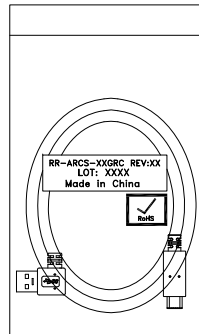


NOTES:PACK EACH CABLE IN A POLY BAG AND 25PCS IN A POLY BAG.

PACK(1)



PACK(2)



GTC
DOC.CENTER.ISSUE
JUL.16.2021
ONLY FOR
RELEASE

TITLE USB3.0 AM RIGHT ANGLE RIGHT TO USB3.1 C TYPE MALE					DRAWING NUMBER RR-ARCS-XXGRC			REV. A7	
DO NOT SCALE DRAWINGS	B	1:1	Lucas 11/27/15	Ray 11/27/15	Ray 11/27/15	X.X ± 0.5 X.XX ± 0.2	X.XXX ± 0.05 ANGLES ± 1°	mm	3/3
THIRD ANGLE PROJECTION	SIZE	SCALE	DRAW / DATE	CHECK / DATE	APPROVE / DATE	TOLERANCES		UNIT	SHEET


USBFIREWIRE.com

THE INFORMATION CONTAINED HEREIN IS PROPRIETARY AND CONFIDENTIAL TO RR BUSINESS VENTURES, LLC. THE POSSESSOR AGREES TO THE FOLLOWING

1. MAINTAIN THIS DOCUMENT IN CONFIDENCE
2. NOT TO REPRODUCE OR COPY IT
3. NOT TO REVEAL OR PUBLISH IT IN WHOLE OR PART

1

2

3

4