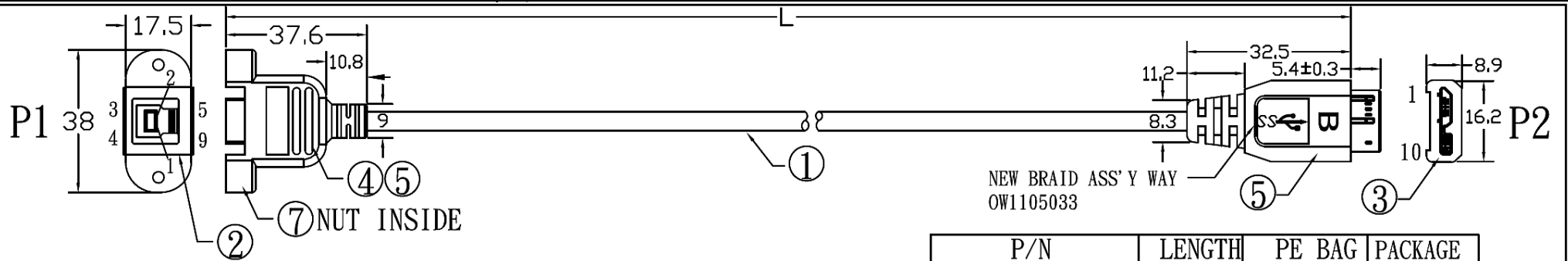
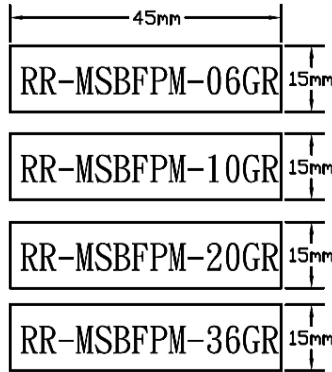
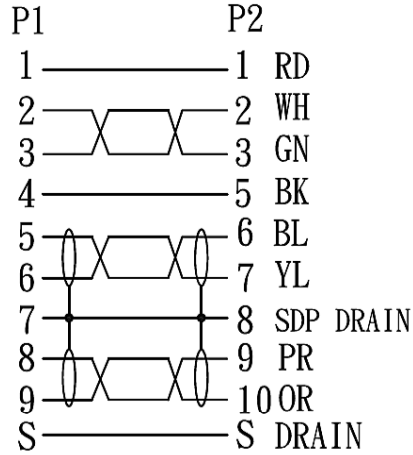


CHANGE VERSION	REMARKS	C	
A	12/06/22	D	
B		E	

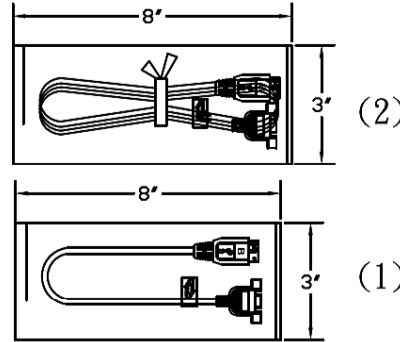


PIN OUT:



P/N STICKER

P/N	LENGTH	PE BAG	PACKAGE
RR-MSBFPM-06GR	153 <sup>+20</sup> <sub>-0</sub>	06*3"*8"	(1)
RR-MSBFPM-10GR	255 <sup>+20</sup> <sub>-0</sub>	06*3"*8"	(1)
RR-MSBFPM-20GR	508 <sup>+30</sup> <sub>-0</sub>	06*3"*8"	(2)
RR-MSBFPM-36GR	915 <sup>+40</sup> <sub>-0</sub>	06*3"*8"	(2)



MATERIAL LIST :

NO.	P/NAME	DESCRIPTION	Q' TY
1	WIRE	UL20276 [28AWG(7/0.12 TC)*1P+1+AL+MYLAR]*2C+28AWG(7/0.12 TC)*1P+24AWG(7/0.20 TC)*2C+AL+1(BC)+80B(AM) OD:5.5±0.15 BLACK (B792) USB3.0 VERSION	1
2	PLUG	USB3.0 "B" TYPE FEMALE PIN=30u" GOLD PLATED DIP TYPE	1
3	PLUG	MICRO USB 3.0 "B" TYPE MALE PIN=30u" GOLD PLATED	1
4	PVC	LD PE	4g
5	PVC	45P BLACK (B792)PVC	16g
6	STICKER	AS ABOVE (15*75mm)	1
7	NUT	#4-40 NUT	2
8	PACKAGE	1PCE/PE BAG:06*A"*B", + P/N STICKER (2PCS 5.3*10mm+TYPE SCREW, IN 2.5*5CM PE BAG)	1

MOLD TOOL NO	www.USBFireWire.com			DRAWN BY
MICRO USB A110-620-001				Marcos
	SCALE	UNIT	REV	CHECKED BY
		MM	A	
FILE NAME	CUSTOMER			CONFIRMED BY
OW1106037				
DATE	CUSTOMER P/N			CHECKED BY
12/06/22				
				APPROVED BY

**RoHS**