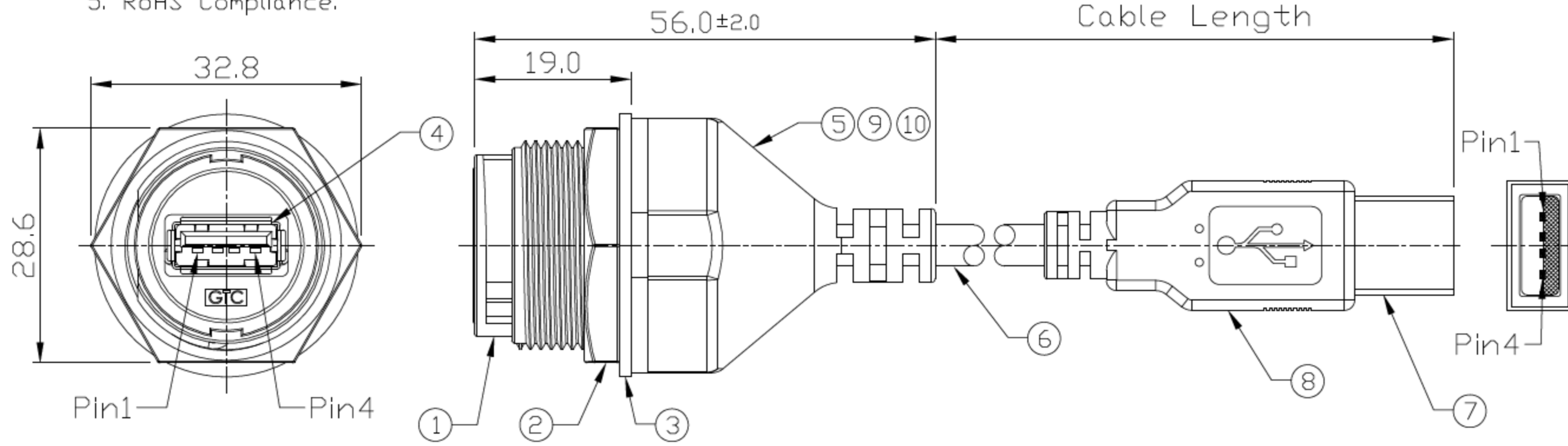


Notes: (Unless Otherwise Specified)

1. Waterproof Rate : IPX7.
2. Panel Thickness : 0.8 to 3.0 mm.
3. Hex Nut Torque: 2.5~3 Kgf-cm Tightening Torque.
4. Matching Cap P/N :GT1C542122.
5. RoHS Compliance.

REV	ECN#	DESCRIPTION OF REVISION
01		070510

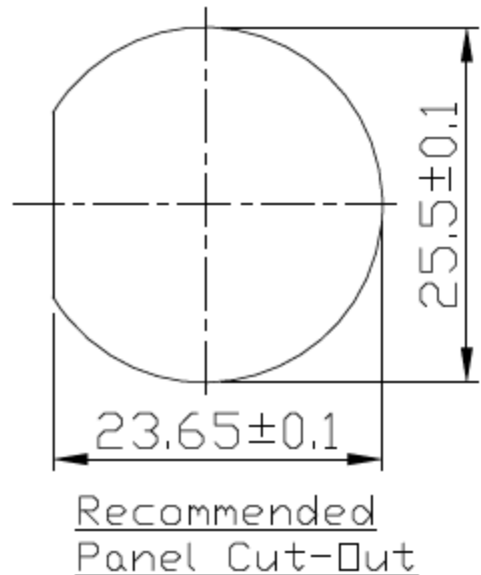


Item	P/N	Material / Finish	QTY
1	Housing	Thermal Plastic Color: Black	1
2	Hex Nut	Thermal Plastic Color: Black	1
3	Gasket	Silicone Color: Black	1
4	USB-A Receptacle	Housing:Thermal Plastic,Color:Black Contacts:Copper Alloy,Finish:Au Plated Shell:Copper Alloy,Finish:NI Plated	1 4 1
5	PCB	FR-4 Color: Green	1
6	Cable	UL2725 1P*28AWG+2C*24AWG+Al.My+D+B Color: Black,OD=5.0mm	1
7	USB-A Plug	Housing:Thermal Plastic,Color:Black Contacts:Copper Alloy,Finish:Au Plated Shell:Copper Alloy,Finish:NI Plated	1 4 1
8	Over Mold	PVC Color: Black	1
9	Inner Mold	thermal Plastic Color: White	1
10	Over Mold	PVC Color: Black	1

GTC
R&D DEPT. ISSUE
JUL.05.2010
ONLY FOR
RELEASE

Color	Wire
1	Red
2	White
3	Green
4	Black
Shield	Drain

Wiring Diagram



METRIC		www.USBFireWire.com	
DRAFTER David	DATE 07/05/10	NOTICE OF PROPRIETARY PROPERTY: THE INFORMATION CONTAINED HEREIN IS THE PROPRIETARY PROPERTY OF GT CONTACT CO.,LTD THE POSSESSOR AGREES TO THE FOLLOWING: (1) TO MAINTAIN THIS DOCUMENT IN CONFIDENCE (2) NOT TO REPRODUCE OR COPY IT (3) NOT TO REVEAL OR PUBLISH IT IN WHOLE OR PART (4) ALL RIGHTS RESERVED	
APPROVED Ray	DATE 07/05/10	TITLE USB-A C4 Plastic Panel Mount Molding, Lock,With Pig Tail USB-A Plug	
DIMENSIONS ARE IN MILLIMETER TOLERANCES X.X ±0.5 X.XX ±0.20 X.XXX ±0.05 ANGLES ±0.5° DO NOT SCALE DRAWINGS		DRAWING NUMBER RR-111210-05-XX	REV. 01
THIRD ANGLE PROJECTION	SIZE B	SCALE 1:1	SHT 1 OF 1