

1

2

3

4

Notes: (Unless Otherwise Specified)

- 1. Waterproof Rate: IP68.
- 2. RoHS Compliant.

**A1** 3. 產品採用無Logo PE袋單PCS包裝, 並將標籤貼於袋外.

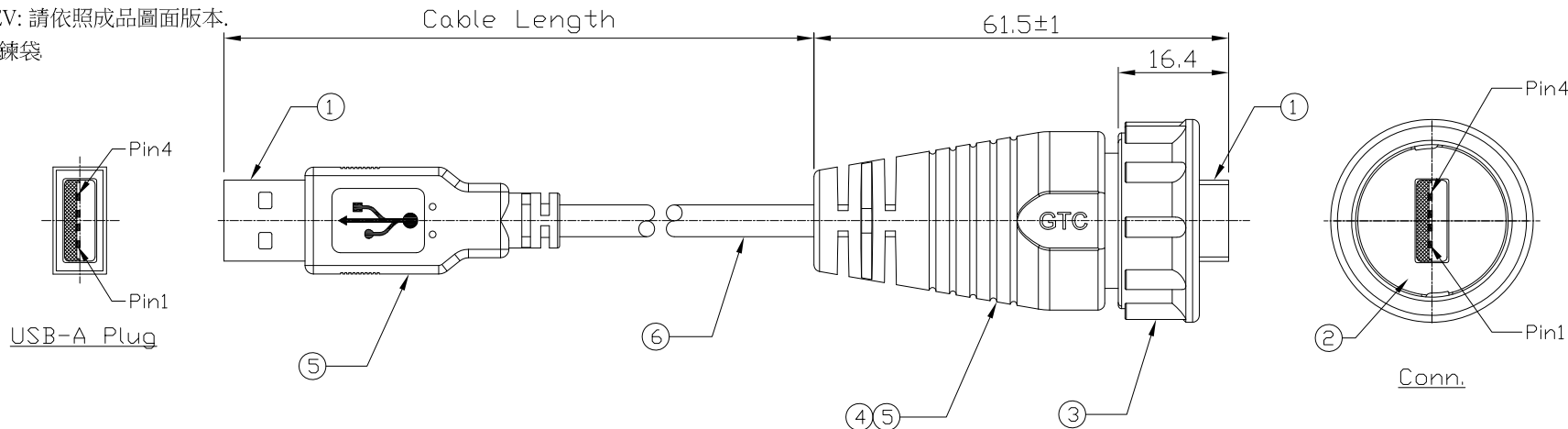
RR-111220-05-XX\_REV:XX\_QTY:1PCS  
**LOT: XXXX**  
**Made in China**

**A1** 4. 每25PCS產品再用防水袋包裝, 並將標籤貼於袋外.

RR-111220-05-XX\_REV:XX\_QTY:25PCS  
**LOT: XXXX**  
**Made in China**

- 5. 標籤上的REV: 請依照成品圖面版本.
- 6. 不可使用夾鍊袋

REV	ECN#	DESCRIPTION OF REVISION	DRAW BY DATE	CHECK BY DATE	APPROVE BY DATE
A0		Mass Production	Joyce 06/06/12	Lucas 06/06/12	Ray 06/06/12
A1	ECN-121109	Modify Label Type & Packing Q'ty <b>A1</b>	Joyce 11/21/12	Lucas 11/21/12	Ray 11/21/12



6	Cable	UL2725 1P*28AWG+2C*24AWG+Al/My+D+B Color: Black, DD=5.0mm	1
5	Over Mold	PVC Color: Black	2
4	Inner Mold	Thermoplastic Color: White Or Black	1
3	Lock Nut	Thermoplastic Color: Black	1
2	Rubber Pad	Silicone Color: Black	1
1	USB-A Plug	Housing: Thermoplastic, Color: Black Contacts: Copper Alloy, Finish: Au Plated Shell: Cold Roll Steel, Finish: Ni Plated	2
Item	Part Name	Material / Finish	Q'ty

USB-A Plug		Conn.	
1	Red	1	
2	White	2	
3	Green	3	
4	Black	4	
Shell	Drain	Shell	

Wiring Diagram

GTC  
 DOC.CENTER.ISSUE  
 DEC.05.2012  
 ONLY FOR  
 RELEASE

RR-111220-05-78	1981.2 mm	±100
RR-111220-05-39	1000 mm	±40
Part No.	Cable Length	Tol.

TITLE						DRAWING NUMBER			REV.	
USB-A Plastic C4 Cable End Plug Lock With Cable + USB-A Plug						RR-111220-05-XX			A1	
	B	1:1	Joyce 06/06/12	Lucas 06/06/12	Ray 06/06/12	X.X ± 0.5 X.XX ± 0.2	X.XXX ± 0.05 ANGLES ± 1°	mm	1/1	
THIRD ANGLE PROJECTION	SIZE	SCALE	DRAW / DATE	CHECK / DATE	APPROVE / DATE	TOLERANCES		UNIT	SHEET	

USBFIREWIRE.com  
 NOTICE OF PROPRIETARY PROPERTY:  
 THE INFORMATION CONTAINED HEREIN IS THE PROPRIETARY PROPERTY OF GT CONTACT CO., LTD. THE POSSESSOR AGREES TO THE FOLLOWING:  
 (i) TO MAINTAIN THIS DOCUMENT IN CONFIDENCE  
 (ii) NOT TO REPRODUCE OR COPY IT  
 (iii) NOT TO REVEAL OR PUBLISH IT IN WHOLE OR PART  
 (iv) ALL RIGHTS RESERVED

1

2

3

4