

1

2

3

4

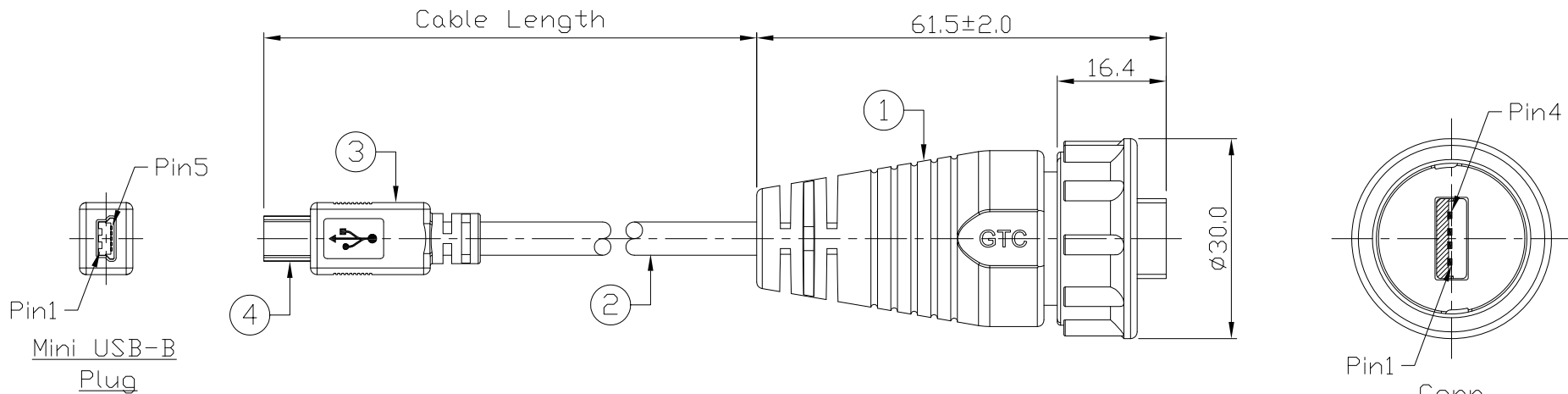
Notes: (Unless Otherwise Specified)

- 1. Waterproof Rate: IP68.
- 2. RoHS Compliant.
- 3. Pack Each Cable In A Poly Bag And 25pcs In A Poly Bag.

REV	ECN#	DESCRIPTION OF REVISION	DRAW BY DATE	CHECK BY DATE	APPROVE BY DATE
A0			Aileen 12/20/21	Lucas 12/20/21	Ray 12/20/21

RR-111220-07-XX_REV: XX_QTY: 1PCS
 LOT: XXXX
 Made in China

RR-111220-07-XX_REV: XX_QTY: 25PCS
 LOT: XXXX
 Made in China



Mini USB-B Plug Conn.

Wire Diagram

Item	Part Name	Material / Finish	Q'TY
4	Mini USB-B Plug	Housing: Thermoplastic, Color: Black Contacts: Copper Alloy, Finish: Au Plated Shell: Cold Roll Steel, Finish: Ni Plated	1
3	Over Mold	PVC Color: Black	1
2	Cable	UL2725 1P*28AWG+2C*24AWG+Al/My+D+B Color: Black, ØD=5.0mm	1
1	USB-A Plastic C4 Cable End Plug Lock	GT Contact P/N: GT111220-07	1

RR-111220-07-196	4978 mm	+150
RR-111220-07-78	1981 mm	+100
Part No.	Cable Length	Tol.

TITLE						DRAWING NUMBER			REV.	
USB-A Plastic C4 Cable End Plug Lock With Mini USB-B Plug						RR-111220-07-XX			A0	
	B	1:1	Aileen 12/20/21	Lucas 12/20/21	Ray 12/20/21	X.X ± 0.5 X.XX ± 0.2	X.XXX ± 0.05 ANGLES ± 1°	mm	1/1	
THIRD ANGLE PROJECTION	SIZE	SCALE	DRAW / DATE	CHECK / DATE	APPROVE / DATE	TOLERANCES		UNIT	SHEET	

USB FIREWIRE.com
 NOTICE OF PROPRIETARY PROPERTY:
 THE INFORMATION CONTAINED HEREIN IS THE PROPRIETARY PROPERTY OF GT CONTACT CO.,LTD THE POSSESSOR AGREES TO THE FOLLOWING:
 (i) TO MAINTAIN THIS DOCUMENT IN CONFIDENCE
 (ii) NOT TO REPRODUCE OR COPY IT
 (iii) NOT TO REVEAL OR PUBLISH IT IN WHOLE OR PART
 (iv) ALL RIGHTS RESERVED

1

2

3

4