

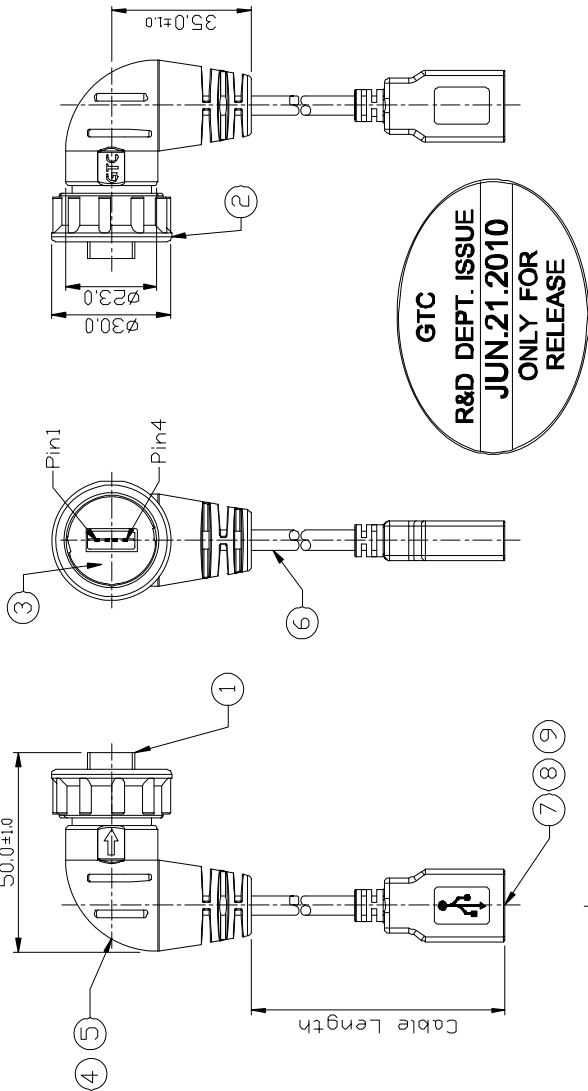
1

2

3

4

REV	ECN#	DESCRIPTION OF REVISION
01		
		062110



1	Red
2	White
3	Green
4	Black
Shield	Drain

Wiring Diagram

Notes:

1. Waterproof Rate: IPX7(Mating)
2. RoHS Compliance.

Item	Part Name	Material / Finish	Qty	Part Name	Material / Finish	Qty
1	USB-A Plug	Housing: Thermal Plastic, Color: Black Contacts: Copper Alloy, Finish: Au Plated	1	USB-A Receptacle	Housing: Thermal Plastic, Color: Black Contacts: Copper Alloy, Finish: Au Plated	1
2	Lock Nut	Shell: Copper Alloy, Finish: Ni Plated Thermal Plastic Color: Black	4	Inner Mold	Thermal Plastic Color: White	4
3	Rubber Pad	Silicone Color: Black	1	Dver Mold	PVC Color: Black	1
4	Inner Mold	PVC Color: Black	1			
5	Dver Mold	PVC Color: Black	1			
6	USB Cable	UL2725 1P*28AWG+20*24AWG+Al,My-D+B ID#50402, Color: Black	1			

METRIC

www.USBFireWire.com

NOTICE OF PROPRIETARY PROPERTY:
THE INFORMATION CONTAINED HEREIN IS THE PROPRIETARY PROPERTY OF USB FIREWIRE.COM THE POSSESSOR HEREBY
GRANTS PERMISSION TO THE FOLLOWING:
(a) TO MAINTAIN THIS DOCUMENT IN CONFIDENCE
(b) NOT TO REPRODUCE OR COPY IT
(c) NOT TO REVEAL OR PUBLISH IT IN WHOLE OR PART
(d) ALL RIGHTS RESERVED

DRAWER: David

DATE: 06/21/10

APPROVED: Ray

DATE: 06/21/10

DIMENSIONS ARE IN MILLIMETER

TOLERANCES

X.X ±0.5

XXX ±0.20

X.XXX ±0.05

ANGLES ±0.5°

DO NOT SCALE DRAWINGS



THIRD ANGLE PROJECTION

2

3

4

DRAWING NUMBER

RR-111229-06-XX

REV. 01

SCALE

1:2

SIZE

B

SHT 1 OF 1