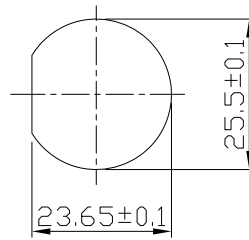
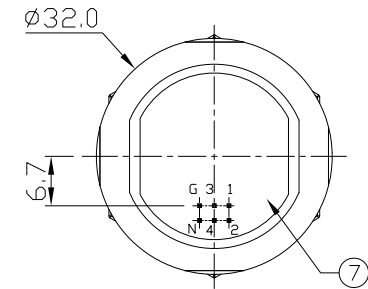
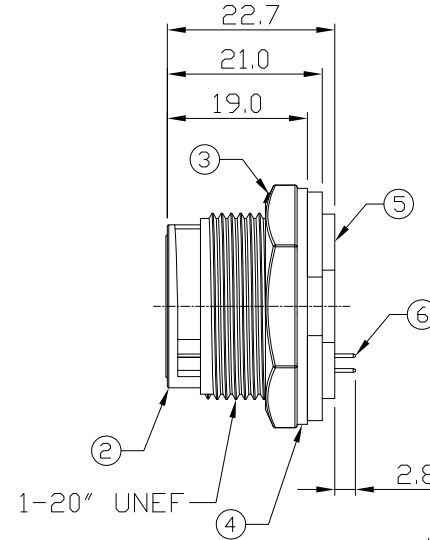
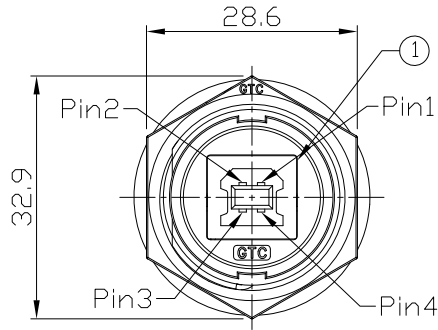


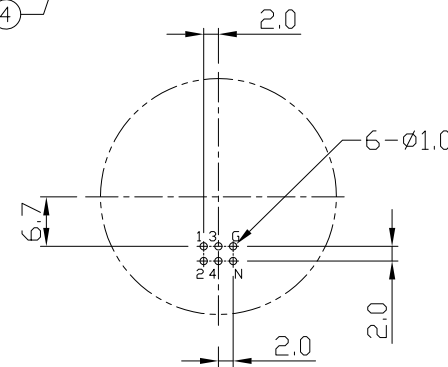
Notes: (Unless Otherwise Specified)

1. Waterproof Rate: IP67.
2. Recommend Panel Thickness: 0.8 to 6.0 mm.
3. Recommend Torque: 19~20 Kgf-cm.
4. RoHS Compliant.

REV	ECN#	DESCRIPTION OF REVISION	DRAW BY DATE	CHECK BY DATE	APPROVE BY DATE
A0		Mass Production	Joyce 12/08/14	Lucas 12/08/14	Ray 12/08/14



Recommend
Panel Cut-Out



Recommend PCB Layout



7	Glue	Epoxy Color: Black	
6	Pin Header	Housing: Thermoplastic, Color: Black	1
		Contacts: Copper Alloy, Finish: Au Plated	
5	PCB	FR-4 Color: —	1
4	Gasket	Silicone Color: Black	1
3	Hex Nut	Thermoplastic Color: Black	1
2	Housing	Thermoplastic Color: Black	1
1	USB-B Receptacle	Housing: Thermoplastic, Color: Black	1
		Contacts: Copper Alloy, Finish: Au Plated	
		Shell: Copper Alloy, Finish: Ni Plated	
Item	Part Name	Material / Finish	QTY

TITLE						DRAWING NUMBER			REV.
USB-B Plastic C4 Panel Jack Dip Lock						RR-112200-10			A0
THIRD ANGLE PROJECTION	SIZE	SCALE	DRAW / DATE	CHECK / DATE	APPROVE / DATE	TOLERANCES	UNIT	SHEET	
	B	1:1	Joyce 12/08/14	Lucas 12/08/14	Ray 12/08/14	X.X ± 0.5 X.XX ± 0.2	mm	1/1	
						X.XXX ± 0.05 ANGLES ± 1°			

USB FIREWIRE.com

THE INFORMATION CONTAINED HEREIN IS PROPRIETARY AND CONFIDENTIAL TO RR BUSINESS VENTURES, LLC. THE POSSESSOR AGREES TO THE FOLLOWING

1. MAINTAIN THIS DOCUMENT IN CONFIDENCE
2. NOT TO REPRODUCE OR COPY IT
3. NOT TO REVEAL OR PUBLISH IT IN WHOLE OR PART