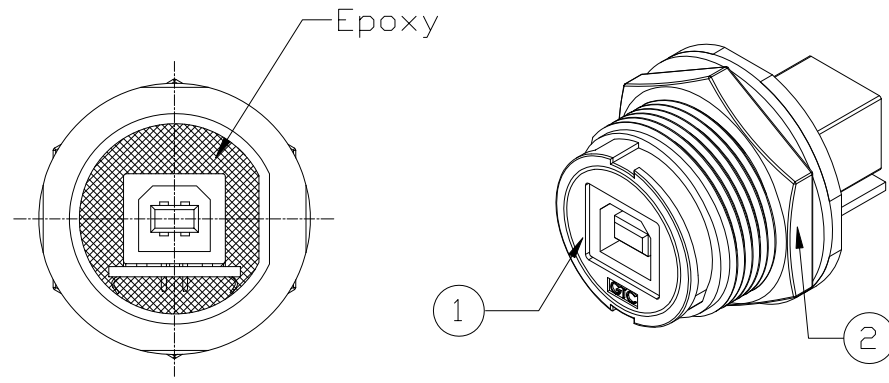
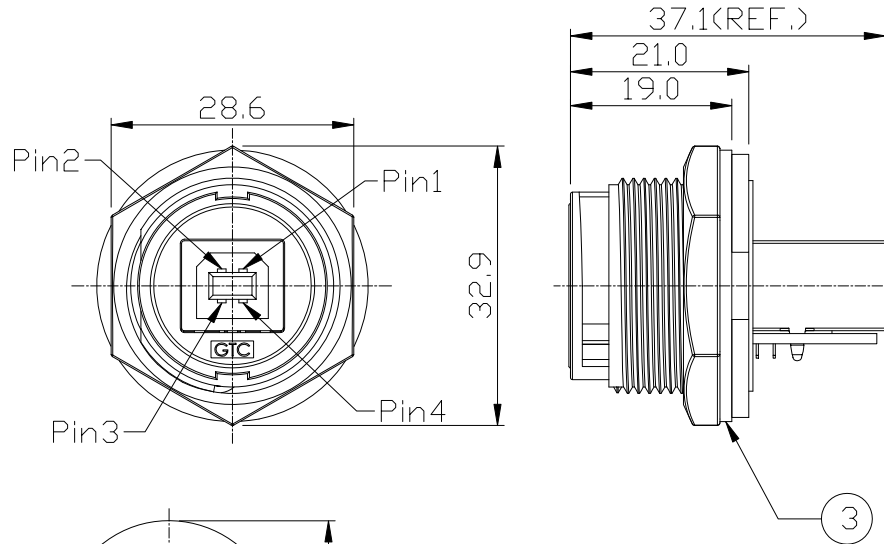


Notes: (Unless Otherwise Specified)

1. Waterproof Rate: IP67.
2. Recommend Panel Thickness: 0.8 to 6.0 mm.
3. Recommend Torque: 6~7 Kgf-cm.

REV	ECN#	DESCRIPTION OF REVISION	DATE
A0		Mass Production	070710
A1	ECN-101013	Marked $\triangle$ A1	102610



**DOC.CENTER.ISSUE**  
**OCT.29.2010**  
**ONLY FOR**  
**RELEASE**

Recommend  
Panel Cut-Out

USB TYPE B			
Pin	Name	Function	Mating Cable Color
1	VBUS	+5VDC	Red
2	D-	Data-	White
3	D+	Data+	Green
4	GDN	Ground	Black

Item	P/N	Material/Finish
1	93112-20010	Housing: Thermal Plastic Color: Black Contacts: Copper Alloy Finish: Au Plated
2	66154-00010	Thermal Plastic Color: Black
3	65154-00020	Silicone Color: Black

METRIC		www.USBFireWire.com	
DRAFTER David	DATE 07/07/10	NOTICE OF PROPRIETARY PROPERTY: THE INFORMATION CONTAINED HEREIN IS THE PROPRIETARY PROPERTY OF GT CONTACT CO.,LTD. THE POSSESSOR AGREES TO THE FOLLOWING: (1) TO MAINTAIN THIS DOCUMENT IN CONFIDENCE (2) NOT TO REPRODUCE OR COPY IT (3) NOT TO REVEAL OR PUBLISH IT IN WHOLE OR PART (4) ALL RIGHTS RESERVED	
APPROVED Ray	DATE 07/07/10		
DIMENSIONS ARE IN MILLIMETER TOLERANCES XX ±0.5 X.XX ±0.20 X.XXX ±0.05 ANGLES ±2° DO NOT SCALE DRAWINGS		TITLE USB-B C4 Panel Mount, Lock to USB-B Receptacle Coupler	
		DRAWING NUMBER <b>RR-112200-40</b>	REV. <b>A1</b>
THIRD ANGLE PROJECTION		SCALE 1:1	SHT 1 OF 1

4

3

2

1

4

3

2

D

D

C

C

B

B

A

A