

4

3

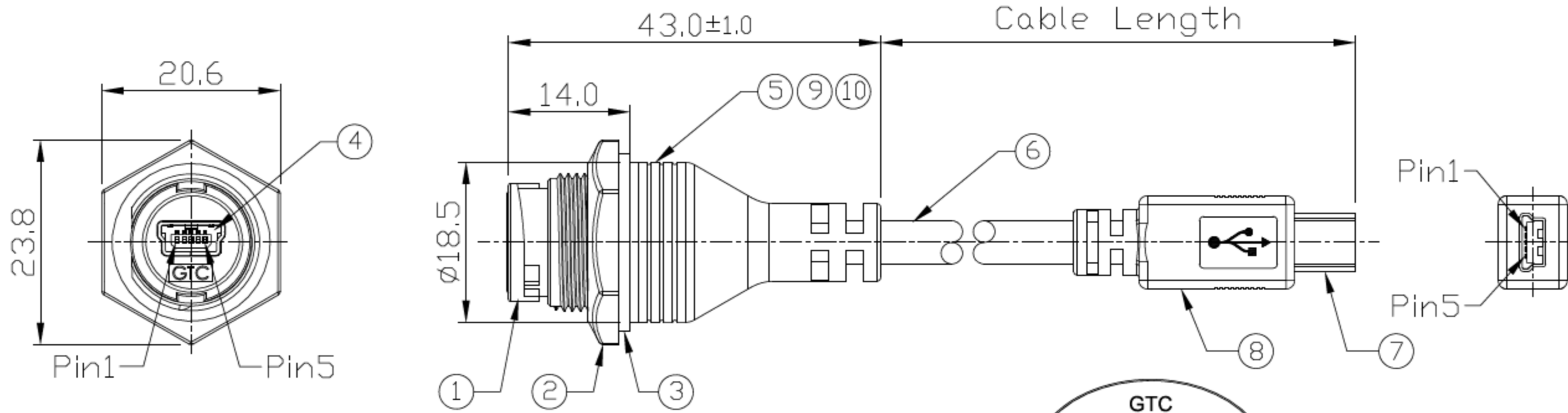
2

1

Notes: (Unless Otherwise Specified)

- 1. Waterproof Rate : IPX7.
- 2. Panel Thickness : 0.8 to 3.0 mm.
- 3. Hex Nut Torque: 1.5~2kgf-cm Tightening Torque.
- 4. Matching Cap P/N :GT1C522122.
- 5. RoHS Compliance.

REV	ECN#	DESCRIPTION OF REVISION
01		070510



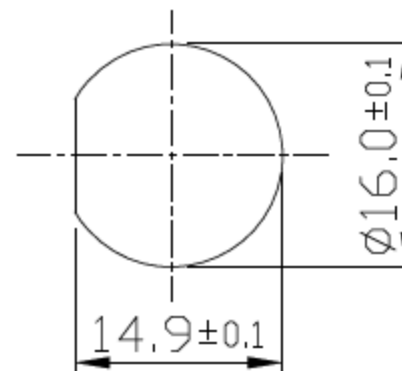
Part No.	Cable Length	Tol.
GT114210-07-Z3	300 mm	±10
GT114210-07-Z4	400 mm	±10
GT114210-07-Z5	500 mm	±20
GT114210-07-Z6	600 mm	±20
GT114210-07-Z7	700 mm	±20
GT114210-07-Z8	800 mm	±20
GT114210-07-Z9	900 mm	±20
GT114210-07-01	1000 mm	±40
GT114210-07-02	2000 mm	±40

Item	P/N	Material / Finish	QTY
1	Housing	Thermal Plastic Color: Black	1
2	Hex Nut	Thermal Plastic Color: Black	1
3	Gasket	Silicone Color: Black	1
4	Mini USB-B Receptacle	Housing:Thermal Plastic,Color:Black Contacts:Copper Alloy,Finish:Au Plated Shell:Copper Alloy,Finish:NI Plated	1 5 1
5	PCB	FR-4 Color: Green	1
6	Cable	UL2725 1P*28AWG+2C*24AWG+Al,My+D+B Color: Black,ØD=5.0mm	1
7	Mini USB-B Plug	Housing:Thermal Plastic,Color:Black Contacts:Copper Alloy,Finish:Au Plated Shell:Copper Alloy,Finish:NI Plated	1 5 1
8	Over Mold	PVC Color: Black	1
9	Inner Mold	thermal Plastic Color: White	1
10	Over Mold	PVC Color: Black	1

1	Red
2	White
3	Green
4	N/C
5	Black
Shield	Drain

GTC  
R&D DEPT. ISSUE  
JUL.05.2010  
ONLY FOR  
RELEASE

Wiring Diagram



Recommended Panel Cut-Out

METRIC		www.USBFireWire.com	
DRAFTER David	DATE 07/05/10	NOTICE OF PROPRIETARY PROPERTY: THE INFORMATION CONTAINED HEREIN IS THE PROPRIETARY PROPERTY OF GT CONTACT CO.,LTD THE POSSESSOR AGREES TO THE FOLLOWING: (1) TO MAINTAIN THIS DOCUMENT IN CONFIDENCE (2) NOT TO REPRODUCE OR COPY IT (3) NOT TO REVEAL OR PUBLISH IT IN WHOLE OR PART (4) ALL RIGHTS RESERVED	
APPROVED Ray	DATE 07/05/10	TITLE Mini USB-B C2 Plastic Panel Mount Molding, Lock,With Pig Tail Mini USB-B Plug	
DIMENSIONS ARE IN MILLIMETER TOLERANCES		DRAWING NUMBER RR-114210-07-XX	
X.X ±0.5 X.XX ±0.20 X.XXX ±0.05 ANGLES ±0.5° DO NOT SCALE DRAWINGS		REV. 01	
THIRD ANGLE PROJECTION	SIZE B	SCALE 1:1	SHT 1 OF 1

4

3

2

D

D

C

C

B

B

A

A