

1

2

3

4

Notes: (Unless Otherwise Specified)

- 1. Waterproof Rate: IP68.
- 2. RoHS Compliant.
- 3. 產品採用無Logo PE袋單PCS包裝,並將標籤貼於袋外.

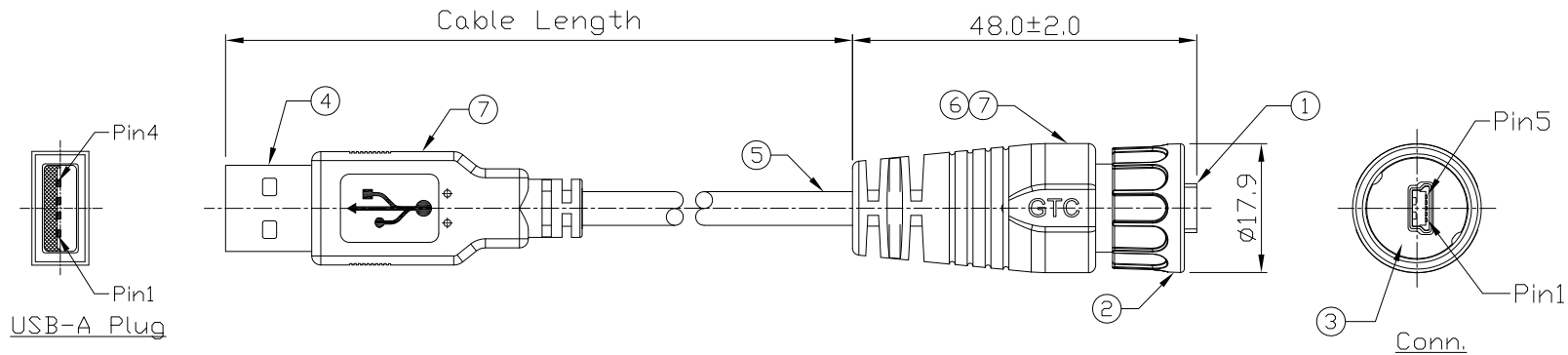
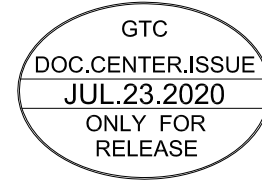
RR-114220-05-XX_REV:XX_QTY:1PCS
LOT: XXXX
Made in China

- 4. 每25PCS產品再用防水袋包裝,並將標籤貼於袋外.

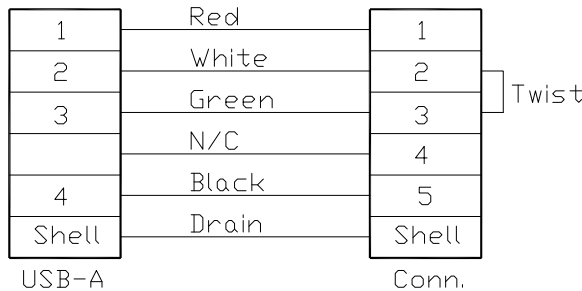
RR-114220-05-XX_REV:XX_QTY:25PCS
LOT: XXXX
Made in China

- 5. 標籤上的REV: 請依照成品圖面版本.
- 6. 不可使用夾鍊袋.

REV	ECN#	DESCRIPTION OF REVISION	DRAW BY DATE	CHECK BY DATE	APPROVE BY DATE
A3	ECN-200721	Adds The Unit Of Length.	Aileen 07/22/20	Lucas 07/22/20	Ray 07/22/20



7	Over Mold	PVC Color: Black	2
6	Inner Mold	Thermoplastic Color: Black	1
5	Cable	UL2725 1P*28AWG+2C*24AWG+Al/My+D+B Color: Black, ØD=5.0mm	1
4	USB-A Plug	Housing: Thermoplastic, Color: Black Contacts: Copper Alloy, Finish: Au Plated Shell: Cold Roll Steel, Finish: Ni Plated	1
3	Rubber Pad	Silicone Color: Black	1
2	Lock Nut	Thermoplastic Color: Black	1
1	Mini USB-B Plug	Housing: Thermoplastic, Color: Black Contacts: Copper Alloy, Finish: Au Plated Shell: Cold Roll Steel, Finish: Ni Plated	1
Item	Part Name	Material / Finish	QTY



RR-114220-05-78	2000±100 mm (79 Inches)
RR-114220-05-39	1000±40 mm (39 Inches)
Part No.	Cable Length Δ 3

TITLE						DRAWING NUMBER			REV.	
Mini USB-B Plastic C2 Cable End Plug Lock With 1M Cable + USB-A Plug						RR-114220-05-XX			A3	
	B	1:1	Joyce 06/06/12	Lucas 06/06/12	Ray 06/06/12	X.X ± 0.5	X.XXX ± 0.05	mm	1/1	
THIRD ANGLE PROJECTION	SIZE	SCALE	DRAW / DATE	CHECK / DATE	APPROVE / DATE	TOLERANCES		UNIT	SHEET	

USBFIREWIRE.com

THE INFORMATION CONTAINED HEREIN IS PROPRIETARY AND CONFIDENTIAL TO RR BUSINESS VENTURES, LLC. THE POSSESSOR AGREES TO THE FOLLOWING:

1. MAINTAIN THIS DOCUMENT IN CONFIDENCE
2. NOT TO REPRODUCE OR COPY IT
3. NOT TO REVEAL OR PUBLISH IT IN WHOLE OR PART

1

2

3

4