

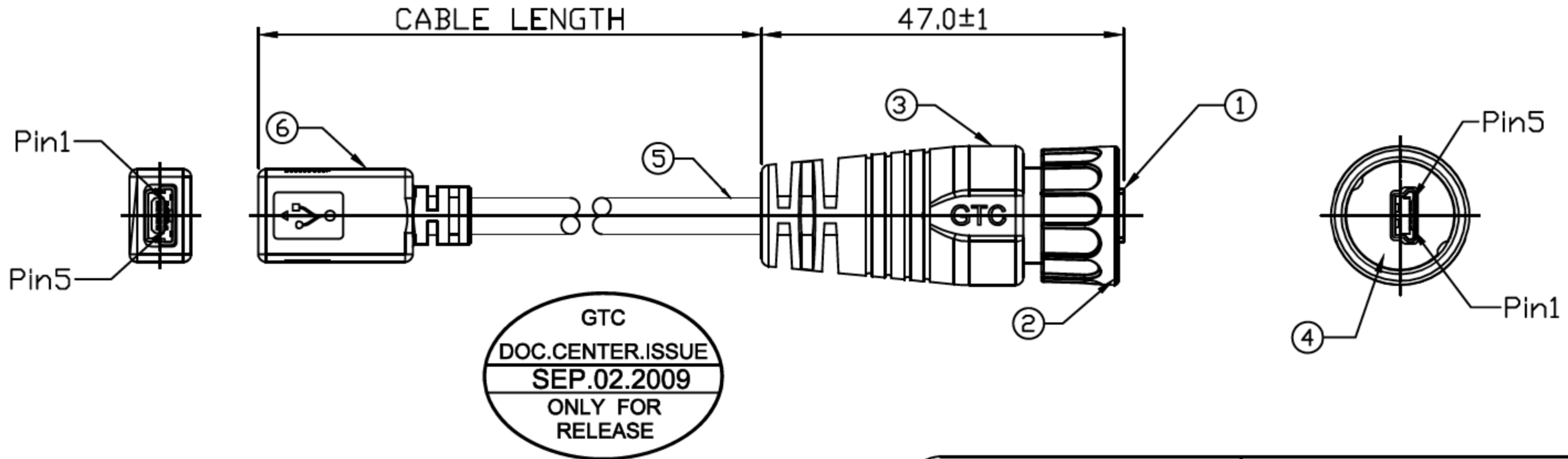
NOTES: (UNLESS OTHERWISE SPECIFIED)

- MATCHING MATES: GT114200-XX
GT114200-XX-XX
- CABLE LENGTH TOLERANCE:
0 to 1M± 40 mm
1 to 10M± 5% mm
OVER 10 M± 500 mm
- RoHS Compliance.

4. PART NO:GT114220-0E-XX

CABLE LENGTH
01: 1 M
02: 2 M
99: 99 M
A0: 100 M

REV	ECN#	DESCRIPTION OF REVISION	DATE
A0		MASS PRODUCTION	09/02/09



ITEM	MATERIAL
1	HOUSING: THERMAL PLASTIC UL94 V-0 COLOR: BLACK CONTACTS: COPPER ALLOY FINISH: GOLD
2	THERMAL PLASTIC UL94 V-0 COLOR: BLACK
3	PVC COLOR: BLACK
4	SILICONE COLOR: BLACK
5	PVC COLOR: BLACK
6	HOUSING: THERMAL PLASTIC UL94 V-0 COLOR: BLACK CONTACTS: COPPER ALLOY FINISH: GOLD

1	RED
2	WHITE
3	GREEN
4	BLACK
5	YELLOW
S	BRAID

WIRING DIAGRAM

METRIC		www.USBFireWire.com	
DRAFTER KAREN	DATE 09/02/09	NOTICE OF PROPRIETARY PROPERTY: THE INFORMATION CONTAINED HEREIN IS THE PROPRIETARY PROPERTY OF GT CONTACT CO., LTD. THE POSSESSOR AGREES TO THE FOLLOWING: ① TO MAINTAIN THIS DOCUMENT IN CONFIDENCE ② NOT TO REPRODUCE OR COPY IT ③ NOT TO REVEAL OR PUBLISH IT IN WHOLE OR PART ④ ALL RIGHTS RESERVED	
APPROVED RAY	DATE 09/02/09	TITLE PLASTIC MINI USB-B CABLE END CONNECTOR + STANDARD CABLE+OVER MOLDED STANDARD(NON-WATERPROOF) MINI USB-B RECEPTACLE	
DIMENSIONS ARE IN MILLIMETER TOLERANCES XX ±0.5 X.XX ±0.20 X.XXX ±0.05 ANGLES ±0.5° DO NOT SCALE DRAWINGS		DRAWING NUMBER RR-114220-0E-XX	REV. A0
THIRD ANGLE PROJECTION		SCALE 1:1	SHT 1 OF 1