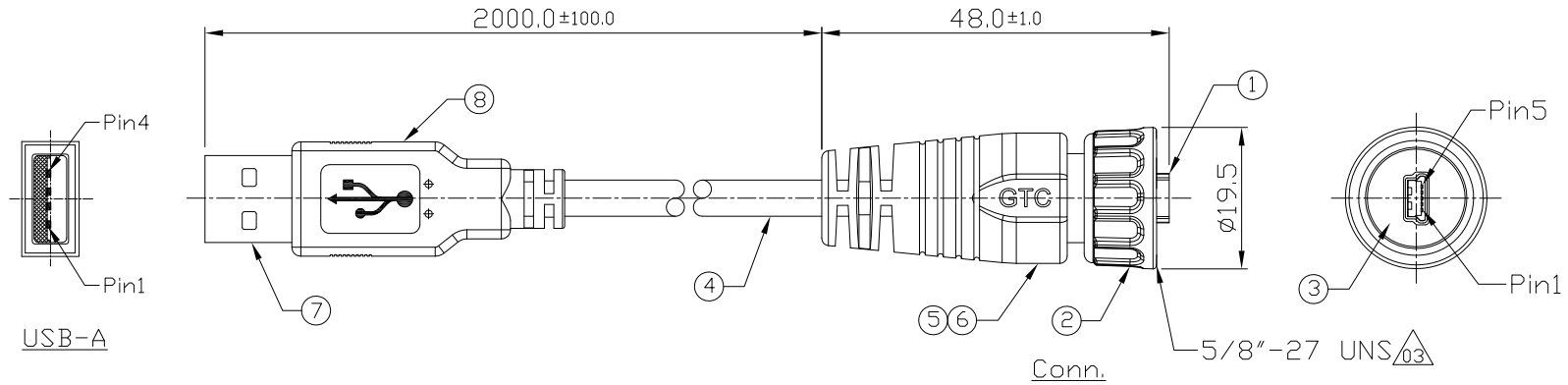
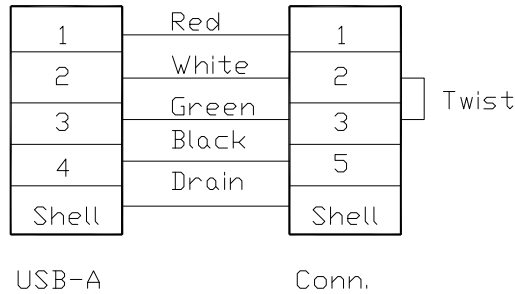


Notes: (Unless Otherwise Specified)  
 1. Waterproof Rate: IP68.  
 2. RoHS Compliant.

REV	ECN#	DESCRIPTION OF REVISION	DRAW BY DATE	CHECK BY DATE	APPROVE BY DATE
01			Joyce 12/20/11	Lucas 12/20/11	Ray 12/20/11
02	ECN-121109	Modify Label Type & Packing Q'ty $\triangle 02$	Joyce 11/21/12	Lucas 11/21/12	Ray 11/21/12
03	ECN-180302	Add 5/8"-27 UNS	Viola 03/06/18	Lucas 03/06/18	Ray 03/06/18



8	Over Mold	PVC Color: Black	1
7	USB-A Plug	Housing: Thermoplastic, Color: Black Contacts: Copper Alloy, Finish: Au Plated Shell: Cold Roll Steel, Finish: Ni Plated	1
6	Over Mold	PVC Color: Black	1
5	Inner Mold	Thermoplastic Color: Black	1
4	Cable	UL2725 1P*28AWG+2C*24AWG+Al/My+D+B Color: Black, OD=5.0mm	1
3	Rubber Pad	Silicone Color: Black	1
2	Screw Nut	Thermoplastic Color: Black	1
1	Mini USB-B Plug	Housing: Thermoplastic, Color: Black Contacts: Copper Alloy, Finish: Au Plated Shell: Cold Roll Steel, Finish: Ni Plated	1
Item	Part Name	Material / Finish	Q'ty



Wiring Diagram

DOC.CENTER.ISSUE  
 MAR.06.2018  
 ONLY FOR  
 RELEASE

TITLE						DRAWING NUMBER			REV.	
Mini USB-B Plastic C2 Cable End Plug Screw With USB-A Plug						RR-114320-05-78			03	
	B	1:1	Joyce 12/20/11	Lucas 12/20/11	Ray 12/20/11	X.X X.XX	± 0.5 ± 0.2	X.XXX ANGLES	± 0.05 ± 1°	mm
THIRD ANGLE PROJECTION	SIZE	SCALE	DRAW / DATE	CHECK / DATE	APPROVE / DATE	TOLERANCES		UNIT	SHEET	

**USB FIREWIRE.com**

THE INFORMATION CONTAINED HEREIN IS THE PROPRIETARY INFORMATION OF RR BUSINESS VENTURES, LLC. THE POSSESSOR AGREES TO THE FOLLOWING

1. MAINTAIN THIS DOCUMENT IN CONFIDENCE
2. NOT TO REPRODUCE OR COPY IT
3. NOT TO REVEAL OR PUBLISH IT IN WHOLE OR IN PART

COPYRIGHT © 2019