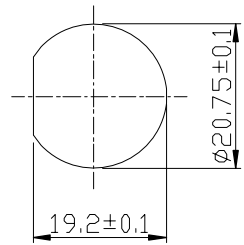


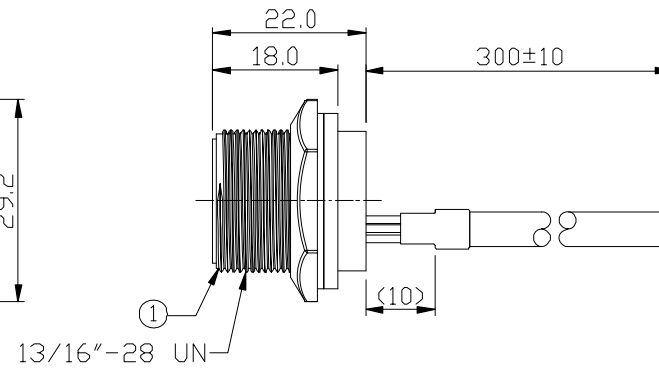
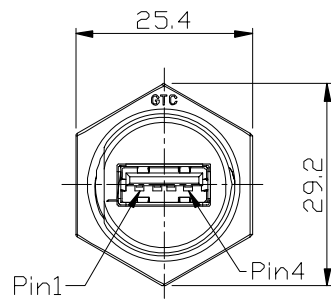
Notes: (Unless Otherwise Specified)

1. Waterproof Rate: IP67.
2. Recommend Panel Thickness: 0.8 to 6.0 mm.
3. Recommend Torque: 14~15 Kgf-cm.
4. Mating Cap P/N: RR-1C533122.
5. RoHS Compliant.

REV	ECN#	DESCRIPTION OF REVISION	DRAW BY DATE	CHECK BY DATE	APPROVE BY DATE
A0		Mass Production	Joyce 06/05/13	Lucas 06/05/13	Ray 06/05/13



Recommend Panel Cut-Out



DOC.CENTER.ISSUE
JUN.05.2013
ONLY FOR
RELEASE

1	Red
2	White
3	Green
4	Black
Shell	Drain

Wiring Diagram

Item	Part Name	Material / Finish	Qty
2	C3 Screw Cap		0
1	USB-A Panel		1

TITLE USB-A Plastic C3 Panel Jack Screw With 0.3M Cable + Cap						DRAWING NUMBER RR-116300-03-Z3			REV. A0	
	B	1:1	Joyce 06/05/13	Lucas 06/05/13	Ray 06/05/13	X.X ± 0.5	X.XXX ± 0.05	mm	1/1	
THIRD ANGLE PROJECTION	SIZE	SCALE	DRAW / DATE	CHECK / DATE	APPROVE / DATE	TOLERANCES		UNIT	SHEET	

www.USBFireWire.com

NOTICE OF PROPRIETARY PROPERTY:
THE INFORMATION CONTAINED HEREIN IS THE PROPRIETARY PROPERTY OF USBFIREWIRE.COM THE POSSESSOR AGREES TO THE FOLLOWING:
① TO MAINTAIN THIS DOCUMENT IN CONFIDENCE
② NOT TO REPRODUCE OR COPY IT
③ NOT TO REVEAL OR PUBLISH IT IN WHOLE OR PART
④ ALL RIGHTS RESERVED