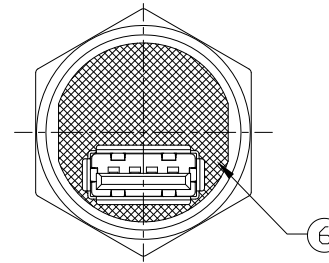
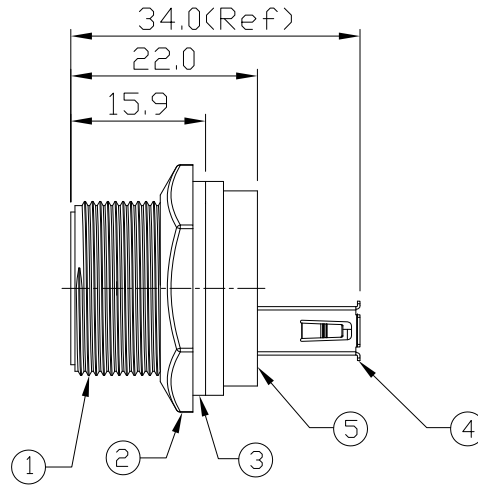
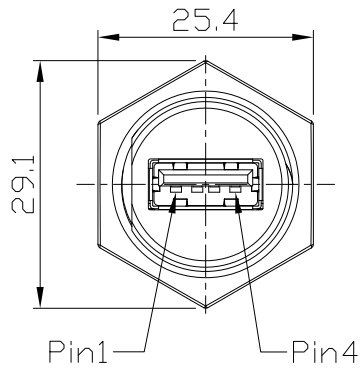


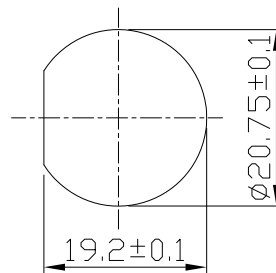
Notes: (Unless Otherwise Specified)

1. Waterproof Rate : IP67.
2. Recommend Panel Thickness : 0.8 to 5.0 mm.
3. Recommend Torque: 6~7 Kgf-cm.



R&D DEPT. ISSUE  
DEC.08.2010  
ONLY FOR  
RELEASE

| Item | Part Name        | Material / Finish  | Q'TY |
|------|------------------|--|------|
| 1    | Housing          | Thermal Plastic<br>Color: Black  | 1    |
| 2    | Hex Nut          | Thermal Plastic<br>Color: Black  | 1    |
| 3    | Gasket           | Silicone<br>Color: Black   | 1    |
| 4    | USB-A Receptacle | Housing:Thermal Plastic,Color:Black<br>Contacts:Copper Alloy,Finish:Au Plated<br>Shell:Copper Alloy,Finish:NI Plated | 2    |
| 5    | PCB              | FR-4<br>Color: Green   | 1    |
| 6    | Glue             | Epoxy<br>Color: Black  |      |



Recommend  
Panel Cut-Out

| REV | ECN# | DESCRIPTION OF REVISION |
|-----|------|-------------------------|
| 01  |      | 120610                  |

| METRIC  |                  | WWW.USBFIREFIRE.COM  |
|---|------------------|--|
| DRAFTER<br>Vicky  | DATE<br>12/06/10 | NOTICE OF PROPRIETARY PROPERTY:<br>THE INFORMATION CONTAINED HEREIN IS THE PROPRIETARY PROPERTY OF GT CONTACT CO.,LTD. THE POSSESSOR AGREES TO THE FOLLOWING:<br>(1) TO MAINTAIN THIS DOCUMENT IN CONFIDENCE<br>(2) NOT TO REPRODUCE OR COPY IT<br>(3) NOT TO REVEAL OR PUBLISH IT IN WHOLE OR PART<br>(4) ALL RIGHTS RESERVED |
| APPROVED<br>Ray   | DATE<br>12/06/10 |  |
| DIMENSIONS ARE IN MILLIMETER<br>TOLERANCES<br>XX ±0.5<br>XXX ±0.20<br>XXXX ±0.05<br>ANGLES ±0.5°<br>DO NOT SCALE DRAWINGS |                  | TITLE<br>USB-A C3 Plastic<br>Panel Mount Screw<br>To USB-A Receptacle Coupler  |
|   |                  | DRAWING NUMBER<br><b>RR-116300-30</b>  |
| SIZE<br>B   | SCALE<br>1:1     | REV.<br>01<br>SHT 1 OF 1   |