

Notes: (Unless Otherwise Specified)

- 1. Waterproof Rate: IP67.
- 2. Recommend Panel Thickness: 0.8 to 6.0 mm.
- 3. Recommend Torque: 14~15 Kgf-cm.
- 4. Mating Cap P/N: **RR-1C533122**
- 5. RoHS Compliant.


△ 6. 產品採用無Logo PE袋單PCS包裝, 並將標籤貼於袋外.

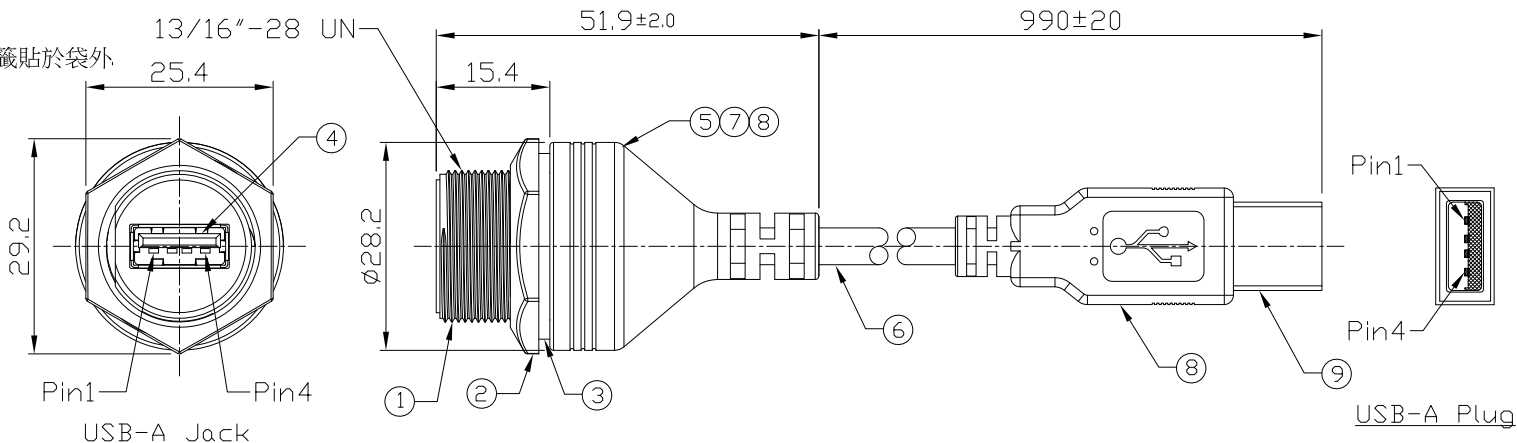
RR-116310-05-39_REV:XX_QTY:1PCS
LOT: XXXX
Made in China

△ 7. 每25PCS產品再用防水袋包裝, 並將標籤貼於袋外.

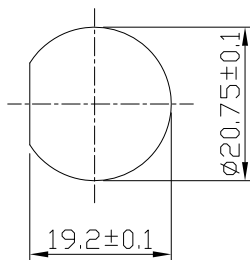
RR-116310-05-39_REV:XX_QTY:25PCS
LOT: XXXX
Made in China

- 8. 標籤上的REV: 請依照成品圖面版本.
- 9. 不可使用夾鍊袋

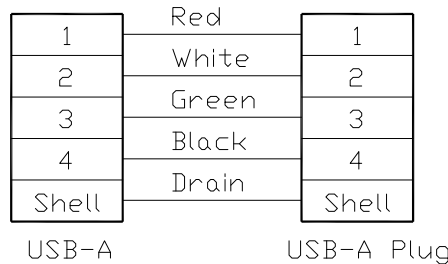
REV	ECN#	DESCRIPTION OF REVISION	DRAW BY DATE	CHECK BY DATE	APPROVE BY DATE
01			Joyce 02/03/12	Lucas 02/03/12	Ray 02/03/12
02	ECN-121109	Modify Label Type & Packing Q'ty 	Joyce 11/21/12	Lucas 11/21/12	Ray 11/21/12



9	USB-A Plug	Housing: Thermoplastic, Color: Black Contacts: Copper Alloy, Finish: Au Plated Shell: Cold Roll Steel, Finish: Ni Plated	1
8	Over Mold	PVC Color: Black	2
7	Inner Mold	Thermoplastic Color: White Or Black	1
6	Cable	UL2725 1P*28AWG+2C*24AWG+Al/My+D+B Color: Black, OD=5.0mm	1
5	PCB	FR-4 Color: Green	1
4	USB-A Receptacle	Housing: Thermoplastic, Color: Black Contacts: Copper Alloy, Finish: Au Plated Shell: Copper Alloy, Finish: Ni Plated	1
3	Gasket	Silicone Color: Black	1
2	Hex Nut	Thermoplastic Color: Black	1
1	Housing	Thermoplastic Color: Black	1
Item	Part Name	Material / Finish	Q'ty

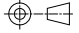


Recommend Panel Cut-Out



Wiring Diagram

GTC
 R&D DEPT. ISSUE
 DEC.03.2012
 ONLY FOR
 RELEASE

TITLE						DRAWING NUMBER			REV.	
USB-A Plastic C3 Cable To Cable Jack Screw With 990mm Cable + USB-A Plug						RR-116310-05-39			02	
	B	1:1	Joyce 02/03/12	Lucas 02/03/12	Ray 02/03/12	X.X ± 0.5 X.XX ± 0.2	X.XXX ± 0.05 ANGLES ± 1°	mm	1/1	
THIRD ANGLE PROJECTION	SIZE	SCALE	DRAW / DATE	CHECK / DATE	APPROVE / DATE	TOLERANCES		UNIT	SHEET	

www.USBFireWire.com

NOTICE OF PROPRIETARY PROPERTY:
 THE INFORMATION CONTAINED HEREIN IS THE PROPRIETARY PROPERTY OF USBFIREWIRE.COM THE POSSESSOR AGREES TO THE FOLLOWING:
 (1) TO MAINTAIN THIS DOCUMENT IN CONFIDENCE
 (2) NOT TO REPRODUCE OR COPY IT
 (3) NOT TO REVEAL OR PUBLISH IT IN WHOLE OR PART
 (4) ALL RIGHTS RESERVED