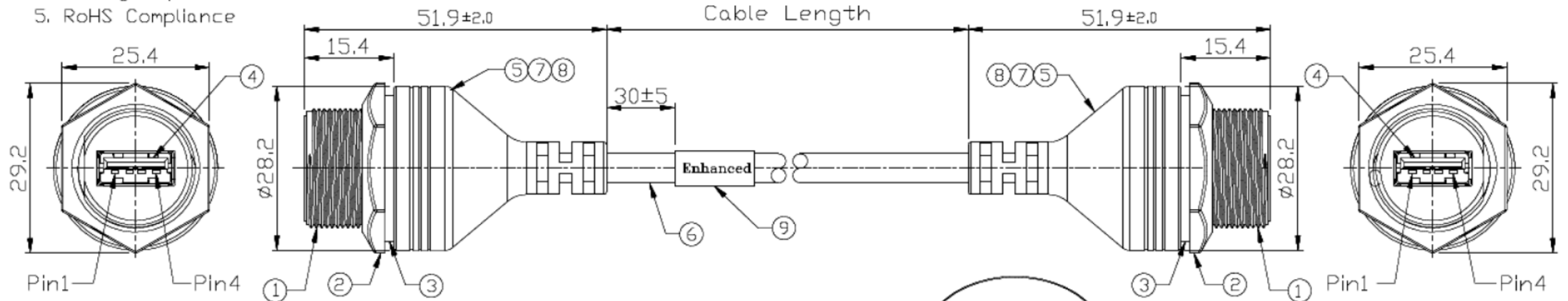


Notes: (Unless Otherwise Specified)

1. Waterproof Rate : IP67
2. Recommend Panel Thickness : 0.8 to 6.0 mm
3. Recommend Torque: 6~7 Kgf-cm
4. Mating Cap P/N : RR-1C533122
5. RoHS Compliance

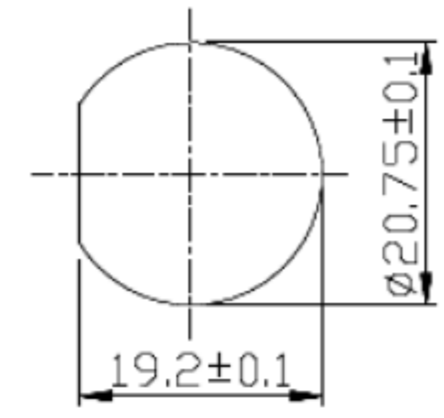
REV	ECN#	DESCRIPTION OF REVISION
01		120610



R&D DEPT. ISSUE
DEC.13.2010
ONLY FOR
RELEASE

Item	Part Name	Material / Finish	QTY
1	Housing	Thermal Plastic Color: Black	2
2	Hex Nut	Thermal Plastic Color: Black	2
3	Gasket	Silicone Color: Black	2
4	USB-A Receptacle	Housing: Thermal Plastic, Color: Black Contacts: Copper Alloy, Finish: Au Plated Shell: Copper Alloy, Finish: Ni Plated	2
5	PCB	FR-4 Color: Green	2
6	Cable	UL2725 1P*24AWG+2C*24AWG+AEB 95% ØD=5.0mm, Color: Black	1
7	Inner Mold	Thermal Plastic Color: Black	2
8	Over Mold	PVC Color: Black	2
9	Label	Font Type: Roman & Size2 Text Color: Black Text: Enhanced	1

1	Red
2	White
3	Green
4	Black
Shell	Drain



Wiring Diagram

Recommend Panel Cut-Out

METRIC		www.USBFireWire.com	
DRAFTER Vicky	DATE 12/06/10	NOTICE OF PROPRIETARY PROPERTY: THE INFORMATION CONTAINED HEREIN IS THE PROPRIETARY PROPERTY OF GT Contact CO.,LTD. THE POSSESSOR AGREES TO THE FOLLOWING: (a) TO MAINTAIN THIS DOCUMENT IN CONFIDENCE (b) NOT TO REPRODUCE OR COPY IT (c) NOT TO REVEAL OR PUBLISH IT IN WHOLE OR PART (d) ALL RIGHTS RESERVED	
APPROVED Ray	DATE 12/06/10	TITLE USB-A C3 Panel Mount Over-Molded + 95% Braid USB Cable+ USB-A C3 Panel Mount Over-Molded	
DIMENSIONS ARE IN MILLIMETER TOLERANCES X.X ±0.5 X.XX ±0.20 X.XXX ±0.05 ANGLES ±0.5° DO NOT SCALE DRAWINGS		DRAWING NUMBER RR-116310X2-XX	REV. 01
THIRD ANGLE PROJECTION	SIZE B	SCALE 1:1	SHT 1 OF 1