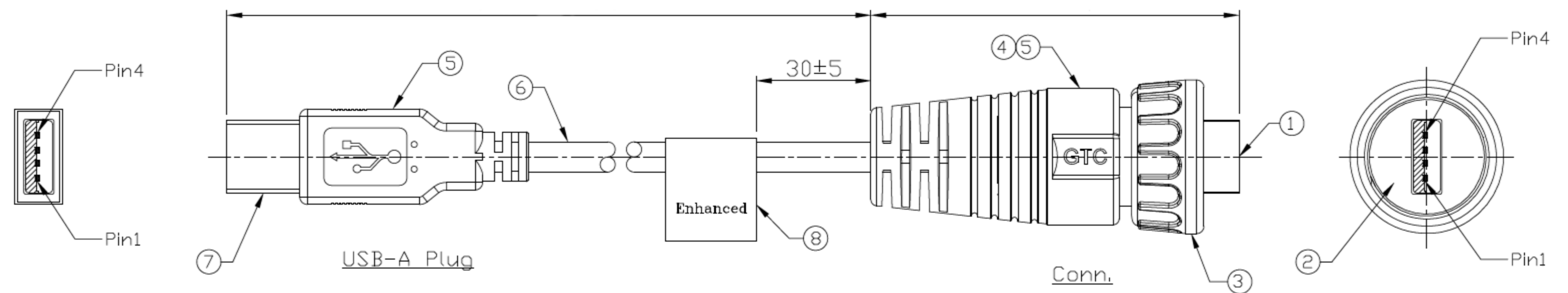
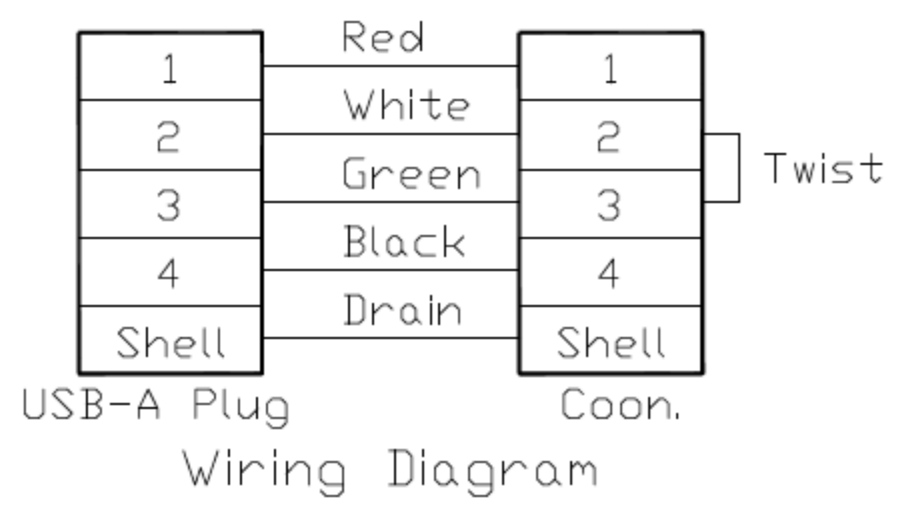


Notes: (Unless Otherwise Specified)
 1. Waterproof Rate: IP67.
 2. RoHS Compliant.

REV	ECN#	DESCRIPTION OF REVISION	DRAW BY DATE	CHECK BY DATE	APPROVE BY DATE
A0		Mass Production	Joyce 03/19/14	Lucas 03/19/14	Ray 03/19/14



8	Label	L=40mm, W=30mm Font Type: Romanc & Size25 Label Color: Yellow (Pantone 107) Text Color: Black Text: Enhanced	1
7	USB-A Plug	Housing: Thermoplastic, Color: Black Contacts: Copper Alloy, Finish: Au Plated Shell: Cold Roll Steel, Finish: Ni Plated	1
6	Cable	UL2725 1P*24AWG+2C*24AWG+AEB 95% Color: Black, ØD=5.0mm	1
5	Over Mold	PVC Color: Black	2
4	Inner Mold	Thermoplastic Color: White Or Black	1
3	Screw Nut	Thermoplastic Color: Black	1
2	Rubber Pad	Silicone Color: Black	1
1	USB-A Plug	Housing: Thermoplastic, Color: Black Contacts: Copper Alloy, Finish: Au Plated Shell: Cold Roll Steel, Finish: Ni Plated	1
Item	Part Name	Material / Finish	Q'ty



DOC.CENTER.ISSUE
 MAR.19.2014
 ONLY FOR
 RELEASE

www.USBFireWire.com

TITLE					DRAWING NUMBER			REV.
USB-A Plastic C3 Cable End Plug Screw With 5M Cable + USB-A Plug + Enhanced Label					RR-116320-05-XX			A0
THIRD ANGLE PROJECTION	SIZE	SCALE	DRAW / DATE	CHECK / DATE	APPROVE / DATE	TOLERANCES	UNIT	SHEET
DD NOT SCALE DRAWINGS	B	1:1	Joyce 03/19/14	Lucas 03/19/14	Ray 03/19/14	X.X ± 0.5 X.XX ± 0.2	mm	1/1
						X.XXX ± 0.05 ANGLES ± 1°		

NOTICE OF PROPRIETARY PROPERTY
 THE INFORMATION CONTAINED HEREIN IS THE PROPRIETARY PROPERTY OF GT CONTACT CO., LTD. THE POSSESSOR AGREES TO THE FOLLOWING:
 (1) TO MAINTAIN THIS DOCUMENT IN CONFIDENCE
 (2) NOT TO REPRODUCE OR COPY IT
 (3) NOT TO REVEAL OR PUBLISH IT IN WHOLE OR PART
 (4) ALL RIGHTS RESERVED