

1

2

3

4

Notes: (Unless Otherwise Specified)

- 1. Waterproof Rate: IP67.
- 2. Recommend USB Flash Drives: SanDisk CZ55 (12\*5\*45)
- 3. Recommend Torque: 14~15 Kgf-cm.
- 4. RoHS Compliant.

REV	ECN#	DESCRIPTION OF REVISION	DRAW BY DATE	CHECK BY DATE	APPROVE BY DATE
01			Hank 08/10/16	Lucas 08/10/16	Ray 08/10/16

D

D

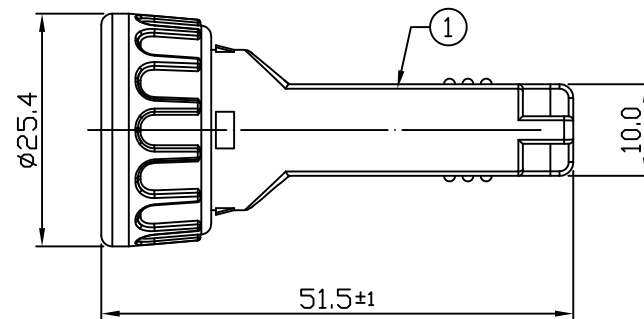
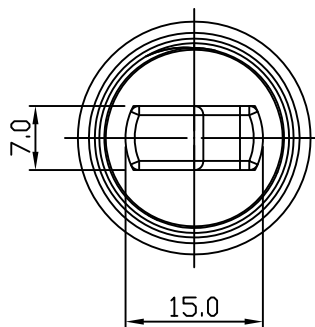
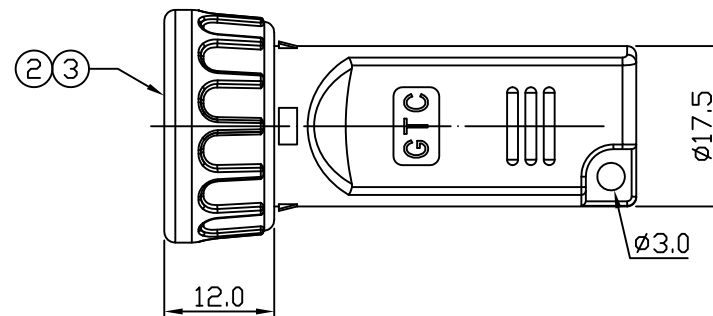
C

C

B

B

R&D DEPT. ISSUE  
AUG.11.2016  
ONLY FOR  
RELEASE



Item	Part Name	Material / Finish	Q'ty
3	Screw Nut	Thermoplastic Color: Black	1
2	Rubber Pad	Silicone Color: Black	1
1	Cover	Thermoplastic Color: Black	1

A

A

TITLE						DRAWING NUMBER			REV.	
C3 USB Flash Drives Cover						RR-116380-00			01	
	B	1:1	Hank 08/10/16	Lucas 08/10/16	Ray 08/10/16	X.X ± 0.5 X.XX ± 0.2	X.XXX ± 0.05 ANGLES ± 1°	mm	1/1	
THIRD ANGLE PROJECTION	SIZE	SCALE	DRAW / DATE	CHECK / DATE	APPROVE / DATE	TOLERANCES		UNIT	SHEET	

  
**USB FIREWIRE.com**  
THE INFORMATION CONTAINED HEREIN IS THE PROPRIETARY INFORMATION OF RR BUSINESS VENTURES, LLC. THE POSSESSOR AGREES TO THE FOLLOWING  
1. MAINTAIN THIS DOCUMENT IN CONFIDENCE  
2. NOT TO REPRODUCE OR COPY IT  
3. NOT TO REVEAL OR PUBLISH IT IN WHOLE OR IN PART  
COPYRIGHT © 2019

1

2

3

4