

1

2

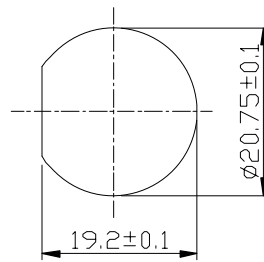
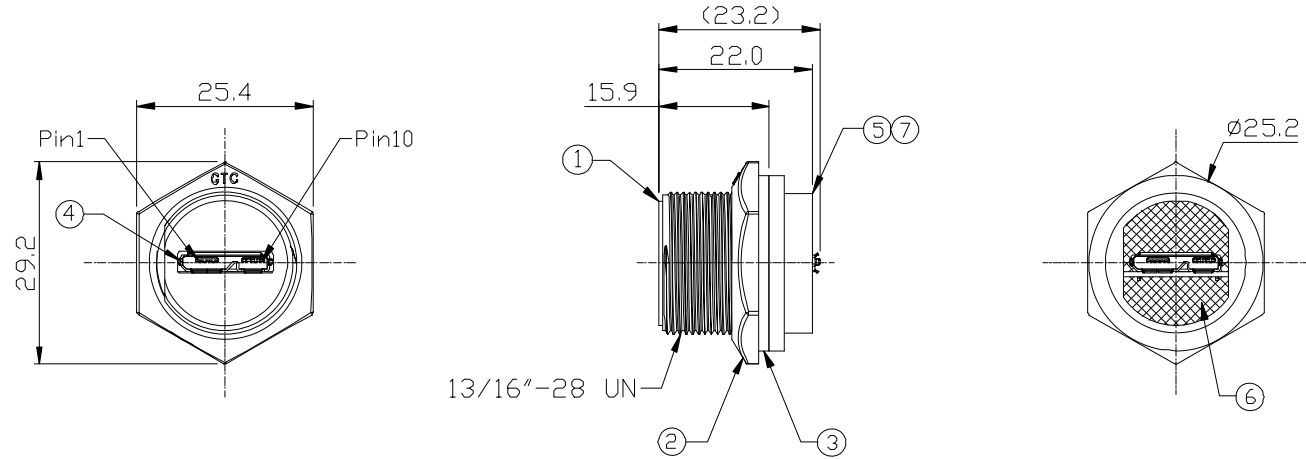
3

4

Notes: (Unless Otherwise Specified)

- 1. Waterproof Rate: IP67.
- 2. Recommend Panel Thickness: 0.8 to 5.0 mm.
- 3. Recommend Torque: 14~15 Kgf-cm.

REV	ECN#	DESCRIPTION OF REVISION	DRAW BY DATE	CHECK BY DATE	APPROVE BY DATE
01			Karen 12/11/15	Lucas 12/11/15	Ray 12/11/15



Recommend Panel Cut-Out

**R&D DEPT. ISSUE**  
**DEC.11.2015**  
**ONLY FOR**  
**RELEASE**

7	Hold	Silicone Color: Black	1
6	Glue	Epoxy Color: Black	
5	PCB	FR-4 Color: —	1
4	Micro USB-B 3.0 Receptacle	Housing: Thermoplastic, Color: Black	2
		Contacts: Copper Alloy, Finish: Au Plated	
		Shell: Copper Alloy, Finish: Ni Plated	
3	Gasket	Silicone Color: Black	1
2	Hex Nut	Thermoplastic Color: Black	1
1	Housing	Thermoplastic Color: Black	1
Item	Part Name	Material / Finish	Q'ty

TITLE	DRAWING NUMBER	REV.
Micro USB-B 3.0 Plastic C3 Panel Jack Screw With Mirco USB-B 3.0 Coupler	RR-119300-80	01

THIRD ANGLE PROJECTION	SIZE	SCALE	DRAW / DATE	CHECK / DATE	APPROVE / DATE	TOLERANCES	UNIT	SHEET
	B	1:1	Karen 12/11/15	Lucas 12/11/15	Ray 12/11/15	X.X ± 0.5 X.XX ± 0.2	mm	1/1
						X.XXX ± 0.05 X.XXX ± 1°		

THE INFORMATION CONTAINED HEREIN IS THE PROPRIETARY INFORMATION OF RR BUSINESS VENTURES, LLC. THE POSSESSOR AGREES TO THE FOLLOWING:

1. MAINTAIN THIS DOCUMENT IN CONFIDENCE
2. NOT TO REPRODUCE OR COPY IT
3. NOT TO REVEAL OR PUBLISH IT IN WHOLE OR IN PART

COPYRIGHT © 2019

1

2

3

4